



REAL TIME CARDIAC MONITORING AND ALCOHOL DETECTION USING A MULTISENSORY SMART IOT SYSTEM

K.P.K. PADMANABAN¹, C. GOPIKA², K. KANIMOZHI³, P. KRISHNAVENI⁴, M. MENAKA⁵
1 ASSISTANT PROFESSOR 2,3,4,5 UG STUDENT
BIOMEDICAL ENGINEERING
GNANAMANI COLLEGE OF TECHNOLOGY, TAMILNADU, INDIA

ABSTRACT

Internet of Things (IOT) with mobile phone technology has various applications in reducing the issues of cardiac disease in patients. Through wireless sensors and smart devices, remote monitoring can identify give the results in immediate physical status of heart patients during normal activities. The design and development of alcohol sensor, heart beat sensor, temperature sensor and spo2 sensor, using a smart-phone in a general surroundings are constructed. Testing and confirmation are conduct on a number of check subjects with different type of patients.

Keywords: Sensor, Heart rate, Alcohol monitoring and Medical industry

1. INTRODUCTION

Increase in advance for wireless technology has many and various opportunities in internet of things for exact explanation to hospitality. Advance technology of little-power pretend-corporal scheme and wireless messages can give a soon increase in the number of devices in the system. Through recording heart-speed data a lot of wearable sectors give user action and work out summary that can be affectively practical to determine the impact on fitness administration. By upcoming generations, it was guessed that more than one in five people will be of age 65 or older and heart diseases in the older appear to be of very common. The objective of the project was to monitor the heart rate, temperature level, spo2 leavel, and alcohol monitoring of the patients and upload it to the cloud with the help of wi-fi module. If the any sensor output exist means it will send the alert notification in web server for iot technology. And through the gps location get there will be a link to identify the patient with location.

2. LITERATURE REVIEW

Online meeting allotments were introduced in medical industry for patients with easier [1], among which doctor advice was been held more convent tool to make jobs of doctors to patients. The request delivers modified advice of doctors with various sickness methods, and after patients will choose one of the doctors for meeting to their favorite. Besides representing the value of rule or routine in order of lament bound, doctor will also provide various numerical examples to show the same rule routine among various prize sessions and display matching with algorithms in the writing among allocated prize scenarios. To introduce the flexibility of altering accurate data update time into the rule and choose that quick update time interval shows to the quick-method performance, while long extending time gives to good results in the future. However, checking how accurate bound helps the system to yield for the searches that report two major contributions of the system. Finally related between patient ideas and doctor use and present a use-familiar loom that was been effective in

real experiments. Patients are monitored through hospital by the doctor meetings. Meeting will consult the patients to take care of their health condition. There were a several methods to monitor the behavior of the affected patients. In this paper

[2] a new regeneration process, meeting rules, planning and design rules were implemented to carry out the patients needs. The accurate and correct result will yield the optimal solution to reduce the jamming between the different and various categories of patients. The improved meeting rule was implemented for the managers in the hospital to take care of the patients in their meeting window. In this paper

[3] the study of capacitated collection issues when clients select the hypothetical copy with combined reflection sets. In this complex model, there are different client types, and a client of a particular method was being eager in buying only a particular subset of products. The term reflection set to refer to the subset of products that a client of a particular type was been interested in purchasing. The reflection sets of clients of different types are nested in the sense that the reflection set of one client type was been included in the reflection set of another. Given that client choose from among the offered products according to the multinomial logit model with nested combination sets, the goal of the collection problem was being to find a set of products to offer to maximize the expected income obtained from a client, while making sure that the total space spending of the offered products does not exceed a certain limit. The authors had showed that this collection problem was been NP-hard, even when there was been no limit on the total space spending of the offered products. Motivated by this different result, we give a fully polynomial time accurate scheme for the problem. The authors in the paper

[4] advised the patients to increase the use of online meeting booking domains. The study shows how to view a gathering periods to clients to increase the total number of periods book. The development of two models, non sequential offering and sequential offering, to measure different types of communications between clients and the scheduling system were studied. In these two models, the scheduler monitors either a single method of assembly time interval for the coming client to choose from or different periods in sequence, respectively. For the non sequential model, the checking a unique and various policy, which was asymptotically correct when the system demand and capacity increase alternately. For the sequential model, it derived a closed form correct policy for a large class of instances and develop a simple, successful heuristic for those instances without an open correct policy. From the recent survey it was understood that the new and emerging technology is IOT. In this paper

[5], the authors moderated clever idea in the domain. The Home Bio-Health IOT was designed and introduced for the domain involves and prefer open-domain-based clever health monitoring system with high property and elasticity for the interjection of devices and methods. The allocated domain continuously fuses the IOT devices. Slanting remote devices have different deficiencies, for example, uncomfortable for drawing out wearing of remote gadget. Hence, wellbeing observing through drifting remote devices was been difficult to be reasonable, to acquire friendliness of huge information by draw out well being checking, "Shrewd Clothing", and encouraging low profile assortment of different physiological warnings of human body. To assess the insight for shrewd garments framework, portable friendliness cloud space was being built by the utilization of versatile web, distributed computing and huge information investigation. This paper presents

3. EXSTING SYSTEM

Now the technology in the world uses optical and electrical motors to monitor the heart beat of the patients. The electrical method uses a large amount of weighted device around one's chest. The optical method does not have any kind of weighted device when compared to electrical method. It has only the sensor which collects data from the patient but cannot transmit the data to the user. Since the optical and electrical monitors work in a way, it is very preliminary and fundamental

4. PROPOSED SYSTEM

Health monitoring of the people in the society is becoming the difficult issue nowadays, because they could not bother about their health status. So, that there are many IOT devices now days to monitor the health of patient through internet. Doctors are also taking measure of these smart devices to keep an eye on their patients. In this work, we will make an IOT based health monitoring method to saves the patient heart beat rate, alcohol measuring, body temperature leavel, spo2 monitoring and it also send a web server to the required neighbor for the information of patients.

They can immediately give recover treatment to the patient to save their life. Authorized persons only access the database.

It is used in military, sports and individual purpose.

Low cost and wireless

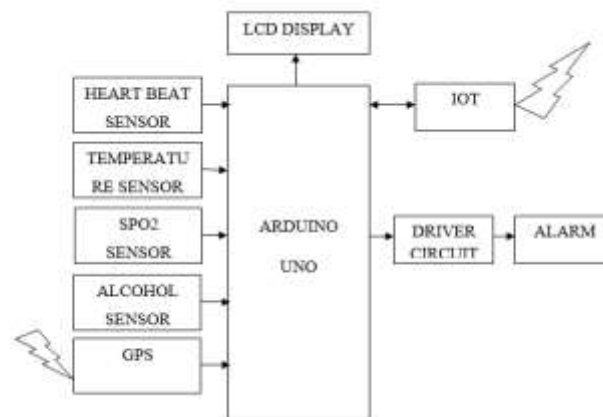
5. HARDWARE REQUIREMENTS

Raspberry Pi Pico
LCD Display
Temperature Sensor
Heart Beat Sensor
Spo2 Sensor
GPS
IOT
Alarm

6. SOFTWARE REQUIREMENTS

Python
Android Studio

7. BLOCK DIAGRAM



8. CONCLUSION

We use the multiple sensors to monitor the regular activity of patients and record the data and readings of the patients with the accurate time and date. It is understood that taking care of the patients is much easier then guide to monitor. These procedures are carried and monitored by the set of IoT devices and get the readings of the patients through webpage by the internet. For the upcoming generation we use the compact IOT sensors in a compact single chip to record the readings through the physical activities of the patients. Future work is planned to monitor the heart beat of the patients by wireless technology method. We can also make use of measuring patients heart rate by with the help of wireless band, as a watch with the GPS location module in it

9.REFERENCES

- 1.P. Xin, S. Jie, Z. Fan, “Dynamic recommendation of physician assortment with patient preference learning,” IEEE Trans. Autom. Sci.Eng., vol. 16, no. 1, pp.115–126, Jan. 2019
2. J. Song, Y. Bai, J. Wen, “Optimal appointment rule design in an outpatient department”, IEEE Trans. Autom. Sci. Eng., vol.16, no.1, pp.100-114, Jan. 2019.
3. J. Feldman and H. Topaloglu, “Capacitated assortment optimization under the multinomial logit model with nested consideration sets,” Oper.Res., vol. 66, no. 2, pp. 380–391, 2017.
- 4.N. Liu, P. M. van de Ven, and B. Zhang, “Managing appointment booking under customer choices,” Manage. Sci., vol. 65, no. 9, Apr. 2019.
5. K., Nirosha, Durgasree. B, Dr. Sheikh Gouse. (2016), iHOME: Bio-Health Clever Mobile System UsingIoT, International Journal of Innovations in Engineering and Technology (IJET) ISSN 2319– 158.

