

DC LEVEL STABILIZATION IN NEUTRAL POINT CLAMPED MULTILEVEL INVERTERS

Pankaj Sarsia¹, Santosh Verma², Dr.Seema Saxena³

Department of Electrical and Electronics Engineering ^{1,2,3}
AISECT University, Bhopal^{1,3}
SGITS, INDORE²

Abstract: The present work deals deep review of study and analysis of 3 phase construction of multipulse and inverters using different topologies and configurations. The most purpose of this is to review the modulation techniques and compare them with one another analysing their benefits and drawbacks. Their applications are analysed with their functioning like the cascaded electrical converter work as a function of a rectifier or charger for the batteries of an electrical vehicle whereas the vehicle was connected to an ac supply system.

Keywords: multipulse converters, modulation techniques, Total harmonic distortion, multi-level.

1. Introduction: Numerous industrial applications have begun to need higher power equipment in recent years. Some medium voltage motor drives and utility applications need medium voltage and power unit power level. For a medium voltage grid, it's hard to attach just one power semiconductor switch directly. As a result, a construction power converter structure has been introduced as an alternate in high power and medium voltage things. A construction converter not solely achieves high power ratings, however conjointly permits the employment of renewable energy sources.

1.1 Multi pulse converters: These are the most fundamental solution for harmonic problem in a three-phase converter system. With the advancements in technology advances these converters and other power electronic devices with integrated magnetic features such as high quality of input power and improved performance would be required by many industrial, commercial applications, power supplies. The effect of increasing the number of pulses of AC to DC converters directly alters its performance parameters like ripple percentage, form factor and the total harmonic distortion.

Why use Multi-Pulse Technique

The term multi-pulse is not unique, in principle it refers to presence of pulse in multiple count per cycle. However, in the power electronics industry, it related to the converters which is operating in a 3 phase system and provides greater than 6 pulse of DC output per cycle.

In multi-pulse method multiple converters are connected in such a way so that the harmonics generated by one converter are negated the harmonics produced by other converters. Thus certain harmonics related to number of converters are eliminating by the power source. In a multipulse converters assumed that the DC link uses a filter such that any ripple caused by the DC load does not significantly influence the shape of DC current. Results of multi-pulse systems give two major accomplishments namely:-

1. It reduces the current harmonics of the AC input line.
2. It reduces the voltage ripple of DC output.

Reduction of AC input line current harmonics is very important as regards the impact the converters on the power system. Multi-pulse strategies are characterized by the apply of multiple converters with a universal load.

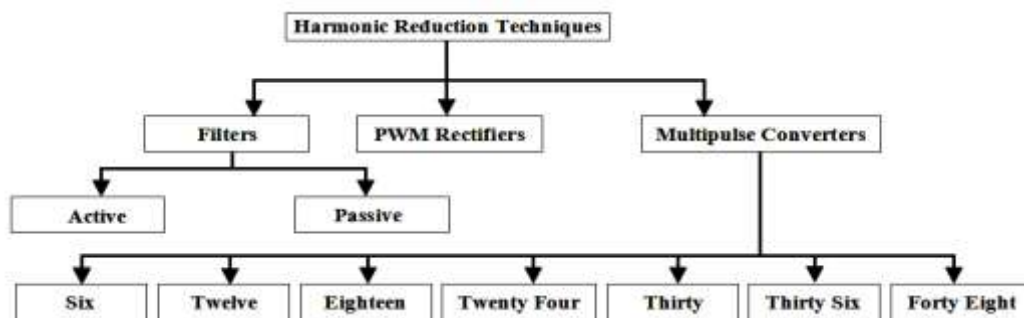


Fig. 1 Various Harmonic Reduction Techniques

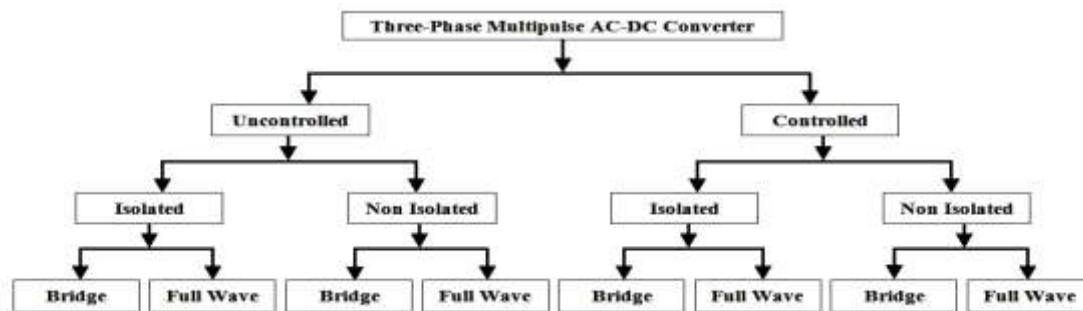


Fig. 2 Multi-Pulse Converter Configuration

Phase shifting transformers are a necessary ingredient and supply the mechanism for cancellation of harmonic current pairs, e.g. the 5th and 7th harmonics or the 11th and 13th so on. Thus for harmonic current reduce by the multipulse converters is connected with phase shifting transformers. Fig.1. & 2 given below shows the various harmonics reduction techniques

1.3 Multipulse Converter Advantages Compared to Other harmonic compensation techniques

1. The performance parameters such as total harmonic distortion (THD) of AC mains current and ripple factor of output DC voltage improve simultaneously.
2. The improvement is independent of supply frequency variation, unlike passive filters.
3. Economic, maintenance free and efficient.
4. Minimal or no control required as Diodes and/or thyristors are mainly used.
5. Higher pulse number means fewer input harmonics (better p.f.), and steady state output.
6. High Efficiency.

1.4 Multilevel Inverter

The power within the battery is in DC mode and also the motor that drives the wheels typically uses AC power, so there ought to be a conversion from DC to AC by an influence convertor. Inverters will do that conversion. The only topology which will be used for this conversion is that the two-level electrical converter that consists of 4 switches. Every switch wants an anti-parallel diode, therefore there ought to be conjointly four opposing parallel diodes. There also are different topologies for inverters.

1.1.1. Working of Multi Level Inverter

A structure electrical converter may be a power electronic system that synthesizes a curving voltage output from many DC sources. These DC sources are often fuel cells, star cells, extremist capacitors, etc. the most plan of structure inverters is to own a more robust curving voltage and current within the output by mistreatment switches serial. Since several switches are a unit place serial the change angles are a unit necessary within the structure inverters as a result of all of the switches ought to be switched in such the simplest way that the output voltage and current have low harmonic distortion.

1.4 Multilevel Inverters

A structure electrical converter may be a power electronic system that synthesizes a curving voltage output from many DC sources. These DC sources are often fuel cells, star cells, extremist capacitors, etc. the most plan of structure inverters is to own a more robust curving voltage and current within the output by mistreatment switches serial.

1.4.1 Multilevel Inverter Topologies

From the electrical energy conversion purpose of read we tend to distinguish four basic convertor types [1]. Rectifiers convert an input AC voltage and current to an output DC voltage and current, choppers convert an input DC voltage and current to an output DC voltage and current of various values, inverters convert an input DC voltage and current to an output AC voltage, current, frequency and count of phases, AC converters convert an input voltage, current, count of phases and frequency to an AC energy with completely different parameters. The frequency converters that convert an input frequency to an output frequency which at the same time maintain the count of phases produce a subgroup of AC converters and that they are a unit the most widespread converters within the field of electrical drives.

The basic topologies of converters for electrical drives is classified as in Fig. 1., Even so, it's sensible to stay in mind that every power converter consists of power electronic devices that are a unit connected into a selected electrical theme which are a unit management by a selected control strategy.

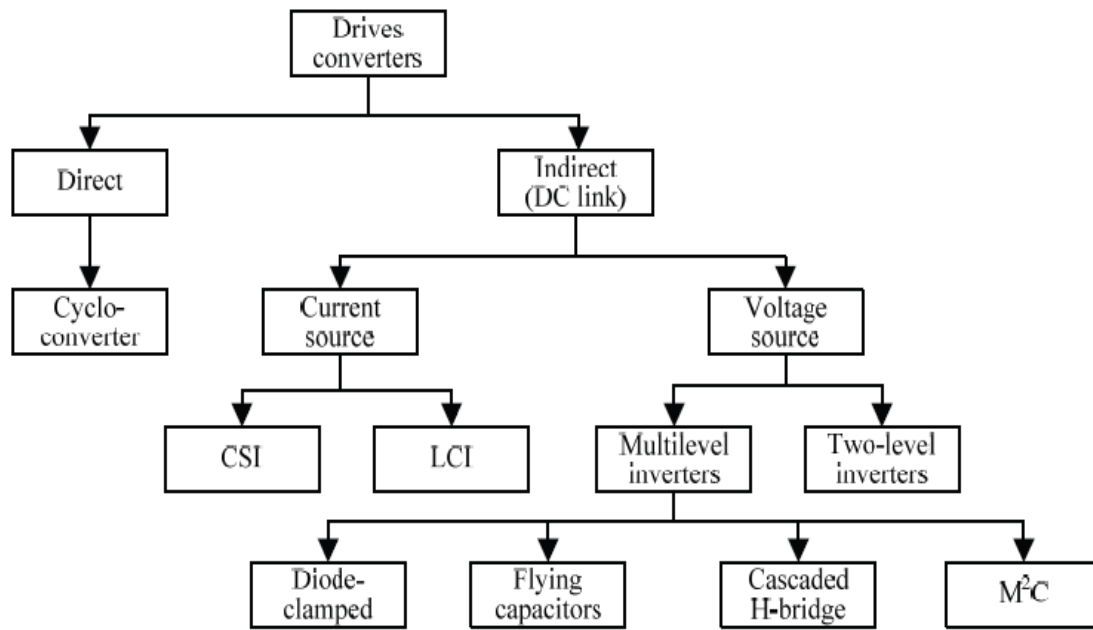


Fig. 1 Classification of drives converter topologies

1.4.1.1 Diode-clamped Topology

Five years on the outline and realization of the primary cascaded H-bridge megacycle per second, Baker (1980) planned a brand new topology – a neutral-point-clamped construction electrical converter, particularly a three-level and a five-level affiliation. However, only one year later Nabae, Takahashi and Akagi (1981) printed a piece regarding the implementation of pulse-width modulation for this topology and that they introduced their initial results of the three-level performance. This topology was the primary one that created it doable to supply associate output voltage from only DC supply.

1.4.1.2 Flying Capacitor Topology

Generally, within the theory of structure inverters, the complexity of the ability circuit in addition because the management will increase chop-chop with each alternative addition level. Therefore, the principle operate of the flying electrical device electrical converter (FCI) are explained on a three-level electrical converter initial. The relationships and natural connections between inverters with completely different variety of levels and also the complexity growth are apparent if three-, four- and five-level inverters are introduced.

1.4.1.3 Cascaded H-bridge Topology

The first multi coupling based semiconductors was delineated and made by Baker and Bannister (1975). It had been a cascaded topology that could be a serial association of one-phase converters. Today, these converters square measure called cascaded H-bridge converters. A basic theme of a three-phase five-level cascaded H-bridge construction electrical converter is shown in Fig.2, Every leg consists of 1 part full bridges connected in chain.

1.5 Harmonics

Harmonics square measure curved voltages or currents having frequencies that square measure whole number multiple of the frequencies at that provide system are style to control. Harmonics square measure made by linear instrumentation, like arc furnaces, variable speed drives and masses that use power physical science. Voltages or currents having frequency elements that aren't whole number multiple of frequencies at that the provision system is to control.

1.5.1 How harmonics Produced

The harmonic results thanks to the operation of power electronic converters. The harmonic voltage and current ought to be restricted to the suitable level at the purpose of association to the network. To make sure the harmonic voltage at intervals limit, every supply of harmonic current will permit solely a restricted contribution, as per the IEC-61400-36 guideline. The fast shift provides an outsized reduction in lower order harmonic current compared to the road commutated convertor, however the output current can have high frequency current and might be simply filter-out.

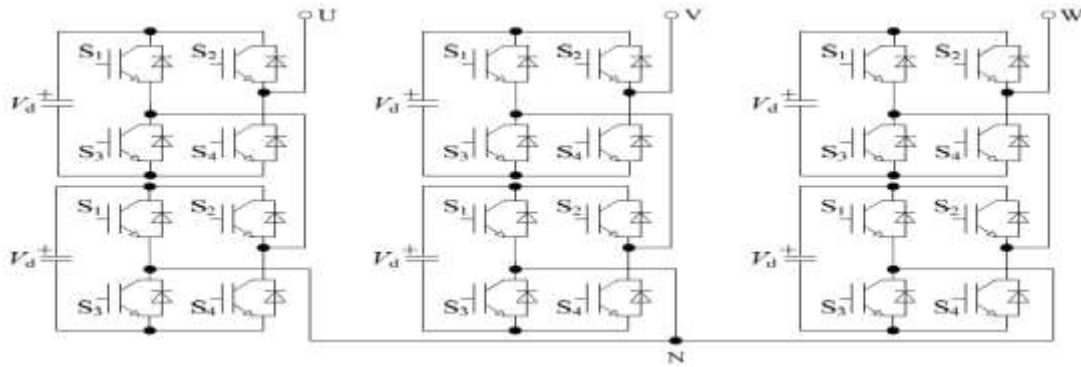


Fig.2 Basic scheme of a three-phase five-level cascaded H-bridge multilevel inverter

1.5.2 Effect of Harmonics

Harmonic distortion will have prejudicial effects on electrical instrumentation. Unwanted distortion will increase the present in power systems which end in higher temperatures in neutral conductors and distribution transformers. Higher frequency harmonics cause extra core loss in motors which ends in excessive heating of the motor core. These higher order harmonics also can interfere with communication transmission lines since they oscillate at an equivalent frequencies because the transmit frequency.³ If left uncurbed, increased temperatures and interference will greatly shorten the lifetime of equipment and cause harm to power systems.

2 Methods for reduction of harmonics in multilevel

- Pulse width modulation techniques
- Sinusoidal Pulse Width Modulation Techniques

3 Conclusions

The current trend of modulation control for multilevel converters is to output high quality power with high efficiency. For this reason, popular traditional PWM, sinusoidal PWM (SPWM) methods and space vector PWM (SVPWM) methods are not the best methods for multilevel converter control due to their high switching frequency. The resultant method can solve low order harmonic equations, but cannot solve high order harmonic equations. In this thesis, switching angles for each H-Bridge converter are equal. If the switching angle numbers for each H-Bridge converter are not equal, it may be possible to find more solutions for a wider modulation index range.

References

- [1] Singh, P.K.; Chauhan, Y.K., Performance analysis of multi-pulse electronic load controllers for self-excited induction generator, International Conference on Energy Efficient Technologies for Sustainability (ICEETS), 2013, pp-1299-1307
- [2] Chaturvedi, A; Masand, D.; Gupta, S.; Tiwari, S.; Jain, M., Comparative analysis of three phase AC-DC controlled multi pulse converter, IEEE Students' Conference on Electrical, Electronics and Computer Science (SCEECS), 2012, pp 1-4.
- [3] Jiaopu Wen; Haihong Qin; Shishan Wang; Bo Zhou, Basic connections and strategies of isolated phase-shifting transformers for multipulse rectifiers: A review, Asia-Pacific Symposium on Electromagnetic Compatibility (APEMC), 2012, pp 105-108.
- [4] Maurya, R.; Agarwal, P.; Srivastava, S.P., Performance investigation of Multipulse Converter for Low Voltage High Current applications, IEEE International Conference on Computer Science and Automation Engineering (CSAE), 2011, pp-211-216.
- [5] Arvindan, A N.; Guha, A, Novel topologies of 24-pulse rectifier with conventional transformers for phaseshifting, 1st International Conference on Electrical Energy Systems (ICEES), 2011, pp 108-114.
- [6] Valderrabano, A; Ramirez, J.M.; Correa, R.E., A new 84-pulse VSC configuration using multi-level DC voltage reinjection for especial applications, IEEE International Conference on Industrial Technology (ICIT), 2010, 1715-1720.
- [7] Xigeng Ma; Chao Li; Lina Bai; Ying Liu, Analysis and Matlab Simulation of 30-Pulse Rectification System Based on Stretch Triangle Transformer, International Conference on Electrical and Control Engineering (ICECE), 2010, pp 3312-3315
- [8] Nishida, K.; Ahmed, T.; Nakaoka, M., Development of grid-connected wind energy system employing interior PM Synchronous Generator and multi-pulse rectifier, IEEE Energy Conversion Congress and Exposition (ECCE), 2010, pp 3374-3381.
- [9] Mohan, D.M.; Singh, B.; Panigrahi, K.B., Selection of dead angle of a three-level multipulse voltage source converter for power quality improvement in HVDC system, International Conference on Power Systems, 2009. ICPS '09, pp 1-6.
- [10] SIVKOV, O., Five-level Inverter with Flying Capacitors. Doctoral thesis, Czech Technical University in Prague, Prague, 2011.
- [11] RIZET, C., 2010. Multi-level topologies for medium power UPS. ECPE-Workshop Advanced Multilevel Converter System, Västerås, September 2010.
- [12] SINHA, G., LIPO, T. A., 1997. A New Modulation Strategy for Improved DC Bus Utilization in Hard and Soft Switched Multilevel Inverters. IECN, pp. 670-675.