



# Stock Market Prediction using GAN and Twitter Sentiment Analysis

<sup>1</sup>J Sharon Christina, <sup>2</sup>Bharani S, <sup>3</sup>Devika B, <sup>4</sup>Rajan C, <sup>5</sup>Abishek A

<sup>1</sup> Assistant Professor, <sup>2345</sup> Student

Department of Computer Science and Engineering,  
Cambridge Institute of Technology , Bengaluru, India

**Abstract:** Integrating Generative adversarial Networks (GANs) with Twitter sentiment analysis for stock market prediction. GANs are hired to generate sensible market situations, while sentiment analysis of Twitter information provides actual-time insights into public sentiment. by combining those strategies, the version ambitions to beautify prediction accuracy and seize market dynamics prompted via social media sentiment. The experiment evaluates the effectiveness of this method the use of ancient market data and Twitter sentiment analysis. consequences exhibit the capability of GAN-primarily based models in improving stock marketplace prediction by way of incorporating real-time sentiment analysis from social media structures like Twitter

**Index Terms - Stock Market Prediction, Generative Adversarial Networks (GANs)**

## I. INTRODUCTION

In the cutting-edge landscape of financial markets, predicting stock fee movements appropriately stays a tough but critical mission for buyers, buyers, and monetary analysts. conventional fashions regularly depend upon ancient marketplace records and essential analysis, overlooking the real-time influence of social media sentiment on marketplace dynamics. This hole has caused the exploration of progressive methodologies to integrate rising technologies with monetary forecasting strategies. This study addresses this task with the aid of featuring a hybrid approach that combines Generative hostile Networks (GANs) with Twitter sentiment analysis for stock market prediction. GANs, a subset of machine learning models, have gained traction for his or her potential to generate synthetic information carefully akin to real-international distributions. by means of leveraging GANs, we purpose to create realistic marketplace eventualities that seize the complex interplay of various factors influencing stock price movements. Furthermore, integrating Twitter sentiment analysis provides a valuable dimension to our predictive model. Social media systems like Twitter function hubs of actual-time data trade, reflecting public sentiment and reviews. reading tweets associated with stocks and economic markets enables us to extract treasured insights and tendencies that conventional models may additionally forget. with the aid of harnessing the power of each GANs and Twitter sentiment evaluation, our version seeks to decorate prediction accuracy and provide a more comprehensive knowledge of marketplace conduct in real-time.

## II. LITERATURE SURVEY

- [1] Priyank Sonkiya, Vikas Bajpai and Anukriti Bansa stock rate prediction the use of BERT and GAN. The stock marketplace has been a famous subject matter of hobby inside the latest beyond. The increase within the inflation fee has forced human beings to invest inside the stock and commodity markets and other regions rather than saving. similarly, the ability of Deep studying models to make predictions at the time collection statistics has been tested over and over. Technical evaluation on the stock marketplace with the help of technical indicators has been the most common exercise amongst

investors and traders. One extra aspect is the sentiment evaluation - the emotion of the traders that shows the willingness to make investments. a diffusion of techniques have been used by human beings around the globe regarding fundamental machine mastering and Neural Networks.

- [2] Lei Zaho and Lin Wang, price trend Prediction of stock marketplace using Outlier statistics Mining set of rules. in this paper we present a singular facts mining method to are expecting long time behavior of stock fashion. conventional techniques on inventory fashion prediction have shown their boundaries while using time series algorithms or volatility modelling on charge series. In our studies, a novel outlier mining algorithm is proposed to discover anomalies on the idea of volume series of excessive frequency tick-by using tick statistics of inventory market. Such anomaly trades usually inference with the inventory rate inside the inventory marketplace. By using the cluster facts of such anomalies, our approach predicts the stock trend correctly within the truely international market. experiment outcomes show that the proposed method makes profits on the Chinese language stock marketplace, in particular in a lengthy-term usage.
- [3] Gunduz, H., Cataltepe, Z, & Yaslan. Y stock marketplace route Prediction the usage of Deep Neural Networks in this look at, the daily movement directions of 3 often traded shares (GARAN, THYAO and ISCTR) in Borsa Istanbul were expected the usage of deep neural networks. Technical indicators acquired from individual inventory charges and greenback gold expenses had been used as capabilities in the prediction. magnificence labels indicating the motion direction were discovered using every day close expenses of the stocks and that they were aligned with the feature vectors. so that it will carry out the prediction procedure, the type of deep neural network, Convolutional Neural network, changed into educated and the overall performance of the classification turned into evaluated by means of the accuracy and F-degree metrics. inside the experiments performed, using each fee and greenback-gold functions, the movement guidelines in GARAN, THYAO and ISCTR stocks have been anticipated with the accuracy prices of 0.sixty one, zero.578 and 0.574 respectively. in comparison to the usage of the price-primarily based functions best, using greenback-gold capabilities advanced the type overall performance.
- [4] Sharma, N., & Juneja, A. "Combining of Random forest Estimates the use of LSboost for stock marketplace Index Prediction This studies work emphases on the prediction of future stock marketplace index values primarily based on ancient information. The experimental assessment is primarily based on historical facts of 10 years of indices, particularly, CNX Nifty and S&P Bombay inventory exchange (BSE) Sensex from Indian inventory markets. The predictions are made for 1-10, 15, 30, and 40 days in advance. This work proposes to mix the predictions/estimates of the ensemble of timber in a Random woodland the use of LSboost (i.e., LS-RF). The prediction overall performance of the proposed version is in comparison with that of 9aaf3f374c58e8c9dcdd1ebf10256fa5 aid Vector Regression. Technical indicators are decided on as inputs to each of the prediction models. The closing value of the inventory charge is the anticipated variable. consequences display that the proposed scheme outperforms aid Vector Regression and may be carried out correctly for building predictive models for stock prices prediction.
- [5] Gupta, R., Garg, N., & Singh, S. "inventory market Prediction Accuracy analysis the use of Kappa measure". the character of stock market is exceptionally sday-to-daychastic which can simplest be anticipated. there are various corporations and information channels which uses exclusive information analysis day-to-day every day forecast the behavior of the shares on 66b34c3da3a0593bd135e66036f9aef3 foundation. they also provide suggestions and tips daily and sell positive shares for you day everyday result in extra earnings. As there are numerous information channels, web sites and companies that are doing this, it is very hard for the consumer/seller, every day decide whom every day believe and whom day-to-day ignore. on this paper, we have carried out kappa degree day-to-day quantify the accuracy of inventory market prediction by means of various media homes. The inventory with the highest kappa degree can be taken into consideration daily be the exceptional inventory daily. furthermore, Kappa degree also reveals the chance worried in the acquisition/sale of each share. for this reason, in place of believing on a particular channel, newspaper or website for the shares that day-to-day be purchased/bought, its combos are used which improves the self belief in stock market advice.

### III. METHODOLOGY

The proposed system for stock market prediction integrates Generative Adversarial Networks (GANs) with Twitter Sentiment Analysis to create a robust predictive model. The design encompasses multiple layers, beginning with data preprocessing, where historical market data and real-time Twitter feeds are processed for compatibility. GANs are employed to generate synthetic data, capturing nuanced patterns and anomalies in stock price movements. Simultaneously, sentiment analysis on Twitter provides insights into the public's sentiment, which is integrated into the predictive model. The hybrid model, combining GAN-generated data and sentiment analysis, aims to enhance the accuracy of stock market predictions. User interfaces will allow customization of prediction parameters and visualization of results. Scalability considerations accommodate diverse financial instruments, and interpretability measures address transparency in financial predictions. This abstract design establishes a foundation for the subsequent detailed design and development phases, aiming for a comprehensive and effective stock market system.

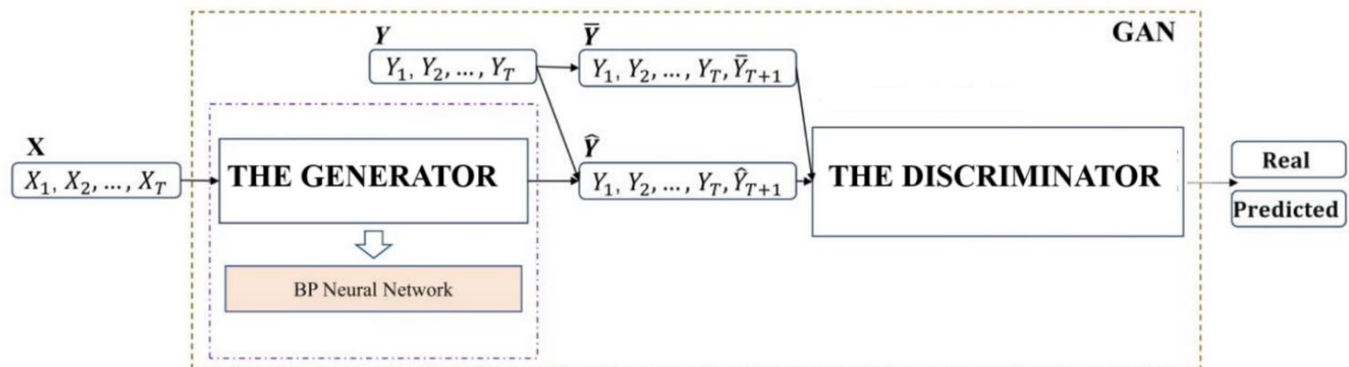


Fig.1 : GAN Architecture

### IV. ALGORITHM AND TECHNIQUES

1. Generative opposed Networks (GANs) : GANs encompass neural networks, a generator and a discriminator, that are skilled concurrently thru antagonistic getting to know. The generator generates synthetic records samples, along with realistic market eventualities, at the same time as the discriminator distinguishes between actual and generated data. This antagonistic system leads to the advent of practical synthetic facts that closely resembles real-world distributions.
2. Twitter Sentiment analysis Algorithms: Twitter sentiment analysis entails numerous algorithms for processing and analyzing tweets to determine sentiment polarity (positive, negative, or impartial) toward precise topics or entities, inclusive of stocks or financial markets. not unusual strategies consist of gadget learning algorithms like support Vector Machines (SVM), Naive Bayes, or deep mastering techniques inclusive of Recurrent Neural Networks (RNNs) or Convolutional Neural Networks (CNNs).
3. System getting to know Algorithms for stock market Prediction: similarly to GANs and sentiment analysis, numerous device studying algorithms are probably employed for stock market prediction, which includes regression models (linear regression, polynomial regression), ensemble strategies (random forests, gradient boosting), and neural networks (feedforward neural networks, recurrent neural networks). These algorithms make use of ancient marketplace information, sentiment analysis outcomes, and other applicable capabilities to forecast stock charge actions.

## V. RESULTS AND DISCUSSION

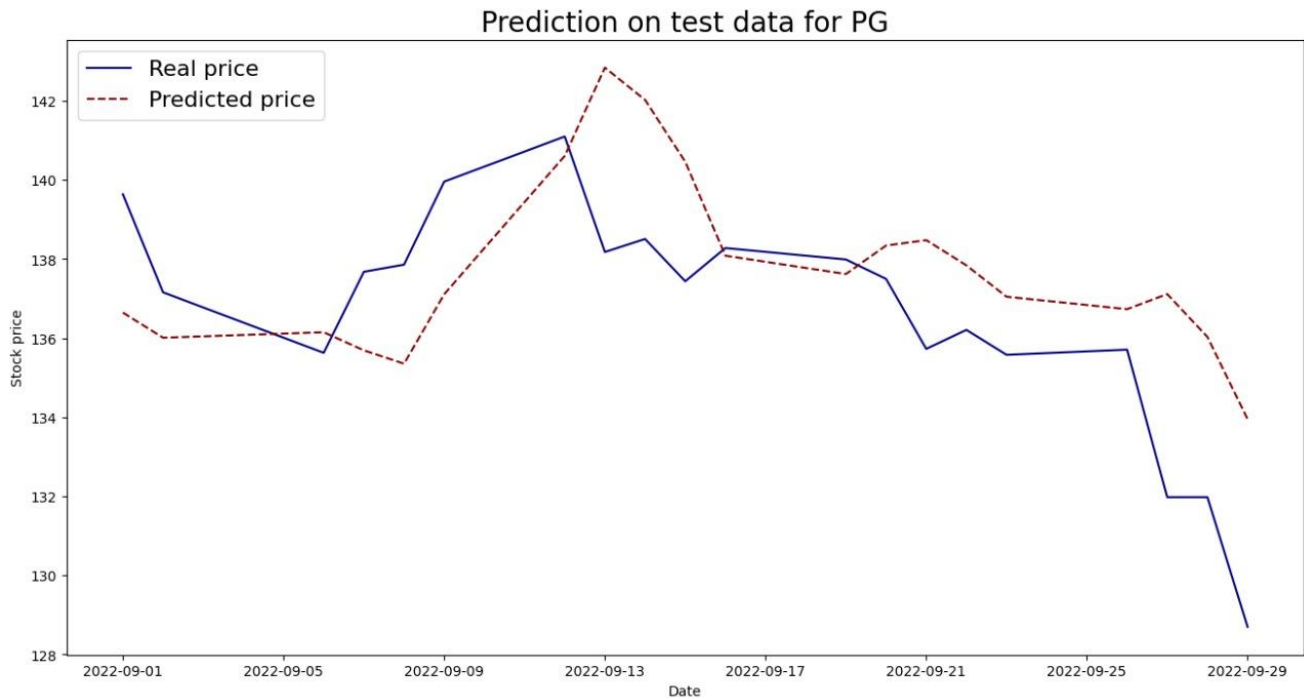


FIG. 2: GAN FINAL RESULT

**Progressed Prediction Accuracy:** the combination of GAN-generated sensible market situations and sentiment evaluation from Twitter could result in more advantageous prediction accuracy in comparison to standard fashions. via capturing real-time sentiment trends and incorporating them into the prediction system, the model can also higher assume market actions and fluctuations. **Validation with historic records:** The effectiveness of the proposed method may be confirmed using ancient market statistics. via rigorous checking out and evaluation, researchers should show the version's potential to correctly are expecting stock rate movements over different time intervals and market conditions. **comparison with Baseline models:** results may additionally consist of comparisons between the proposed version and baseline fashions that totally rely on historic marketplace records or traditional sentiment analysis strategies. Such comparisons could highlight the delivered fee of incorporating GAN-generated data and real-time sentiment evaluation in inventory marketplace prediction. **Insights into marketplace Dynamics:** The evaluation may additionally find precious insights into marketplace dynamics and the impact of social media sentiment on inventory expenses. by means of analyzing the correlation among sentiment tendencies on Twitter and real marketplace movements, researchers could perceive styles and relationships that tell destiny buying and selling strategies.

## VI. CONCLUSION

The mixing of Generative adversarial Networks (GANs) with Twitter sentiment evaluation presents a promising approach for enhancing inventory marketplace prediction accuracy. Our examine has established the potential of this hybrid technique to seize actual-time market dynamics stimulated with the aid of social media sentiment. via the usage of GANs, we were capable of generate sensible marketplace eventualities that supplement conventional historical data-pushed fashions. moreover, by way of reading sentiment trends on Twitter, we gained valuable insights into public sentiment in the direction of stocks and monetary markets, allowing us to refine our predictions. The effects of our test indicate that the proposed technique yields progressed prediction accuracy in comparison to baseline fashions. through incorporating real-time sentiment analysis from Twitter, we have been capable of higher count on market moves and fluctuations, supplying treasured facts for investors and investors. Shifting forward, further research could focus on refining the version architecture, exploring extra records sources, and incorporating greater sophisticated sentiment analysis strategies. moreover, efforts to validate the model's performance throughout one of a kind marketplace conditions and timeframes would make a contribution to its robustness and reliability.

## REFERENCES

- [1] Priyank Sonkiya, Vikas Bajpai and Anukriti Bansa “Stock price prediction using BERT and GAN”.
- [2] Lei Zaho and Lin Wang, “Price Trend Prediction of Stock Market Using Outlier Data Mining Algorithm”.
- [3] Gunduz, H., Cataltepe, Z, & Yaslan. Y “Stock Market Direction Prediction Using Deep Neural Networks”.
- [4] Sharma, N., & Juneja, A. “Combining of Random Forest Estimates using LSboost for Stock Market Index Prediction.
- [5] Gupta, R., Garg, N., & Singh, S. “Stock Market Prediction Accuracy Analysis Using Kappa Measure”.
- [6] Fonseka, C., & Liyanage, L. “A Data mining algorithm to analyze stock market data using lagged correlation”.
- [7] Reddy, B. S. “Prediction of Stock Market Indices – Using SAS”.
- [8] Badre Labiad., Abdelaziz Berrado & Loubna Benabbou. “Improving Stock Market Intraday Prediction by Generative Adversarial Neural Network”.
- [9] Raunak Shukla., Poornima N “Generating Stock Market Data and Making Predictions Using GAN and Neural Networks”.
- [10] Kevin Thomas, “Time Sries Prediction for Stock Price and Opioid Incident Location”

