



# RFID BASED SMART ATTENDANCE SYSTEM

<sup>1</sup>Arka Rajak, <sup>2</sup>Saptarshi Majumder, <sup>3</sup>Sneha Kumari Shaw, <sup>4</sup>Rittika Ghosh, <sup>5</sup>Biswarup Neogi

<sup>1,2,3,4</sup>B.Tech- Department of Electronics and Communication Engineering, <sup>5</sup>Professor- Department of Electronics and Communication Engineering and Dean R&D- JIS College of Engineering

<sup>1</sup>Electronics and Communication Engineering

<sup>1</sup>JIS College of Engineering, Kalyani, India

**Abstract:** The RFID-based smart attendance system is a creative method of automating and streamlining the tracking and monitoring of attendance in commercial and educational contexts. RFID (Radio Frequency Identification) technology is used by the system. RFID scanners are positioned at strategic entry points, and RFID tags are assigned to particular persons. When an individual passes the reader with a valid RFID tag, their attendance is automatically entered into a central database. This approach significantly reduces the amount of manual effort required to track attendance while minimizing errors and enhancing data security. Administrators may monitor attendance trends and generate comprehensive reports using its real-time data analytics and reporting features. The integration of RFID technology enables adaptability and adaptation to satisfy various organizational needs, hence permitting additional features such as access control and time management. Since an RFID-based attendance system promotes more efficiency, enhanced accountability, and fewer administrative tasks, it is a valuable tool for modern educational institutions and enterprises seeking to raise operational efficacy and production.

**Index Terms** – Smart Attendance, Advanced Technology, RFID, Tag, Efficient, Administrative Operations.

## I. INTRODUCTION

With its smart integration of technology and usefulness, the RFID-based attendance system is completely changing the way businesses track and manage employee attendance. Fundamentally, RFID technology uses electromagnetic fields to automatically recognize and follow tags affixed to objects or people. An RFID tag with a unique identifier is given to each individual, and RFID readers are placed at strategic entry and exit points to read the tags. Tags and readers work together seamlessly to automatically gather attendance data, which is subsequently entered into a centralized system for convenient access and management.

Teachers and staff in educational institutions have far less administrative work to do thanks to the RFID-based attendance system. Conventional techniques, such calling names aloud or utilizing sign-in papers, take a lot of time and are prone to manipulation and error. With RFID, reliable and real-time data collection is ensured as pupils enter the classroom and their attendance is immediately logged. Teachers are able to devote more of their instructional time to teaching as a result of this efficiency. Administrators can receive early intervention and help for kids who may require it by having the system notify them of trends of tardiness or absenteeism.

RFID-based attendance systems have significant advantages for corporate settings as well. Precise tracking of attendance is essential in the workplace for processing payments, adhering to labor regulations, and evaluating employee performance. By automating the procedure, RFID technology guarantees accurate and manual attendance recording for staff members. The integrity of attendance records is improved since buddy punching—when one person clocks in for another—is reduced thanks to this technology. Moreover, payroll systems can benefit from the streamlined wage calculations and decreased administrative burden that come with integrating RFID attendance data.

Attendance systems based on RFID offer significant security improvements. Because each RFID tag has a unique code, it is challenging to counterfeit or abuse. This capability is especially helpful in settings like secure corporate offices, government buildings, and labs that need stringent access control. To further increase security, the system can be set up to allow only authorized personnel access. The device can help with evacuation and safety protocols in the event of an emergency by providing real-time data on who is present in the facility.

RFID technology can also be used by healthcare facilities for access control and attendance monitoring. Monitoring the attendance of medical staff is essential in hospitals and clinics to provide proper coverage and prompt patient care. By monitoring employee movements, RFID devices help to guarantee that only individuals with the proper authorization can enter sensitive spaces like operating rooms and pharmacies. This feature guarantees adherence to healthcare regulations while also improving security.

Even with all of the benefits, putting in place an RFID-based attendance system takes thought and preparation. The cost of RFID tags, readers, and the required IT infrastructure can add up during the initial setup. In order to allay any privacy concerns, organizations must make sure that the data they gather is safe and used in accordance with applicable laws. Technical difficulties, like signal blockage and interference from other electronic equipment, must be handled with appropriate system design and reader location.

RFID-based attendance systems appear to have a bright future ahead of them, as continued technological developments should increase both their utility and price. More intelligent and user-friendly systems may result from the combination of RFID with the Internet of Things (IoT) and artificial intelligence (AI). AI systems may, for instance, examine attendance data to identify patterns and enhance labor management. Economies of scale are predicted to drive down costs as the technology spreads, bringing RFID equipment within the reach of smaller businesses.

To sum up, RFID-based attendance systems are a big improvement over the current methods for managing and recording attendance. These technologies offer a strong solution that overcomes the drawbacks of conventional techniques by providing unmatched precision, efficiency, and security. Whether used in corporate settings, healthcare facilities, educational institutions, or protected places, RFID technology improves operational efficiency and guarantees accurate attendance tracking. RFID-based solutions are expected to become increasingly more crucial to contemporary attendance management procedures as technology advances.

### ***Traditional Methods vs Advanced Methods***

Conventional attendance techniques are labor-intensive, prone to manipulation, and mistake-prone, like punch cards, sign-in sheets, and manual roll calls. These approaches come with a high administrative cost and are prone to human error-related errors like misstated or inaccurate records. Furthermore, it might be challenging to quickly analyze attendance patterns using traditional approaches since they frequently lack real-time data capabilities. The possibility of proxy attendance, in which one individual logs in on behalf of another, compromises the accuracy of attendance records and presents security issues.

On the other hand, cutting-edge techniques such as RFID-based attendance systems provide automatic, precise, and effective solutions. When an individual passes through an RFID reader, RFID technology uses radio waves to detect and track the unique tag that has been allocated to them, automatically recording their attendance. By doing away with the necessity for manual entry, this automation lowers the risk of error and the administrative load. RFID technologies give instant access to attendance records and enable prompt actions since they provide real-time data. By avoiding proxy attendance and integrating with access control systems, they also improve security. Furthermore, sophisticated systems are capable of producing extensive reports and analytics, which facilitate improved resource management and decision-making. All things considered, RFID-based attendance solutions are a huge advancement over conventional techniques, providing increased precision, effectiveness, and security.

## **II. LITERATURE REVIEW**

The application of RFID technology in attendance systems has been extensively researched, revealing its potential to streamline and automate the process across various sectors. A key study in this field is by Lim, T.S., Sim, S.C., and Mansor, titled "RFID Based Attendance System," highlighted the capability of RFID technology to enhance accuracy, efficiency, and security in attendance tracking compared to traditional methods such as manual roll calls and sign-in sheets.

Building on these foundational insights, Zhang Yuru, Chen Delong, and Tan Liping, in their 2013 paper "The Research and Application of College Student Attendance System based on RFID Technology," explored the implementation of RFID technology specifically within college settings. Their system aimed to improve productivity and minimize the wastage of human and material resources by automating attendance tracking, thereby reducing human error and optimizing resource allocation. This study underscored the effectiveness of RFID technology in enhancing operational efficiency and ensuring accurate and reliable attendance records in educational environments.

Another relevant contribution is by Nainan, S., Parekh, R., and Shah, T., in their 2009 study "RFID Technology Based Attendance Management System." This research focused on the practical applications of RFID systems in managing attendance, demonstrating significant improvements in the accuracy and reliability of attendance data collection.

Agrawal, A., and Bansal, A., in their 2013 paper "Online Attendance Management System Using RFID with Object Counter," further advanced the field by integrating RFID technology with object counters. This hybrid approach not only automated attendance tracking but also provided additional data insights, enhancing the overall effectiveness of attendance management systems. Shukla, A.K., in his 2017 paper "Microcontroller Based Attendance System Using RFID and GSM," introduced a system that combines RFID technology with GSM communication. This integration allows for real-time attendance tracking and reporting via mobile networks, expanding the applicability of RFID systems to environments where immediate data access and remote monitoring are crucial.

These studies illustrate the transformative potential of RFID technology in attendance management. Lim, Sim, and Mansor's 2009 study provided the initial framework by highlighting RFID's basic advantages, such as real-time data collection and enhanced security features that prevent proxy attendance. Subsequent research by Zhang, Chen, and Tan in 2013 showcased practical implementations in educational settings, resulting in significant operational benefits. Contributions by Nainan, Parekh, and Shah in 2009, along with Agrawal and Bansal in 2013, and Shukla in 2017, expanded on these findings, integrating RFID with other technologies like object counters and GSM to further enhance the functionality and utility of attendance systems.

Overall, the literature indicates a clear trend towards adopting RFID-based systems for attendance management, driven by the need for more efficient, accurate, and secure solutions. The advancements made by these researchers have paved the way for further innovations in this field, suggesting that RFID technology will continue to play a crucial role in the evolution of attendance tracking systems. Future research may focus on integrating RFID with emerging technologies such as the Internet of Things (IoT) and Artificial Intelligence (AI) to create even more sophisticated and intelligent attendance management solutions.

### III. METHODOLOGY

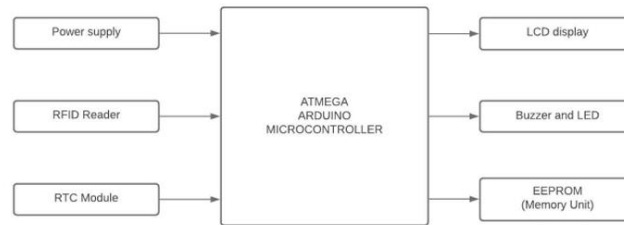


Fig. 1. Interfacing of Arduino with RFID Reader

#### Hardware Required

A number of essential hardware parts are needed to establish the RFID-based attendance system, and each one is essential to maintaining the dependability and functionality of the system.

1. **RFID Reader:** To read the data contained on RFID tags, you will need this gadget. In order to identify tags within its detection range and obtain the unique identification information they contain, it emits radio waves. The effectiveness and precision of the RFID reader are vital to the system since they guarantee that people's attendance is promptly and accurately recorded as they pass by.

2. **RFID Tags:** These are little, carry-anywhere gadgets that are unique to each person and include a microchip inside that contains an identifier. These tags communicate their stored data to the RFID reader when they are brought close to it. By preventing duplication and guaranteeing that every attendance record is linked to the right person, each RFID tag's uniqueness improves the security and precision of the attendance tracking system.

3. **Arduino UNO:** The Arduino UNO microcontroller board functions as the system's central processing unit. It gathers data from the RFID reader, processes it, and then transmits commands to other parts like the LCD display and the RTC module. The Arduino UNO is a great option for controlling system operations and guaranteeing smooth connection between all hardware components because of its adaptability and simplicity of programming.

4. **DS3231 RTC Module:** Accurately timestamping each attendance input requires the Real-Time Clock (RTC) module to maintain track of the current date and time. This module makes sure that every attendance record is precisely time-stamped, preserving the data's integrity and chronological sequence. The system relies heavily on its accuracy and dependability, particularly in situations where timing is crucial.

5. **Liquid Crystal Display (LCD):** The LCD offers a user-friendly interface with information including the current time, important notifications, and a confirmation that attendance logging has been completed. This part of the system enables real-time user interaction, providing prompt response and guaranteeing transparency in the attendance logging procedure. The LCD's responsiveness and clarity improve the system's overall usability and user experience.

#### Software Required

1. **Arduino IDE:** To write, compile, and upload code to the Arduino UNO, utilize the Arduino Integrated Development Environment (IDE) software platform. It offers a user-friendly interface for developing the firmware required to manage RTC module input, refresh the LCD display, and operate the RFID reader. The IDE has a number of libraries and tools that make the development process easier and guarantee that all of the system's components function as a whole. Developers may design, test, and improve the software that powers the complete RFID-based attendance system with the Arduino IDE, guaranteeing dependable and effective functioning.

These hardware and software elements work together to create a reliable and effective attendance management system. The Arduino UNO processes and manages the information flow, while the RFID reader and tags allow for automatic and precise data collection. The LCD provides real-time user feedback while the RTC module guarantees accurate timekeeping. The Arduino IDE aids in the construction and upkeep of the system's software, guaranteeing that all parts work together harmoniously and that the system is adaptable and scalable enough to accommodate future improvements. An dependable, effective, and user-friendly solution for attendance management is ensured by this integrated approach.

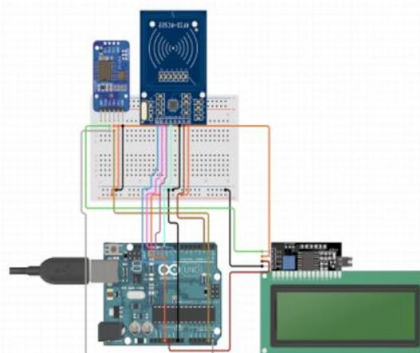


Fig. 2. Circuit Diagram of RFID based Smart Attendance System

#### Interfacing Arduino UNO with RFID Reader

We used a methodical approach to connect the components of our RFID-based attendance system in order to guarantee smooth communication. First, we immediately connected the RFID reader's ground pin to the Arduino UNO's ground pin. In order to minimize potential interference and ensure steady functioning, it is imperative that all electrical components have a single reference point, which is maintained through grounding.

Next, we made use of the Arduino IDE's SoftwareSerial library. This library is very useful because it makes use of the Arduino's digital pins to enable the creation of additional serial communication ports. By doing this, we may use the Arduino's hardware serial ports (RX and TX) in addition to them. We put up digital pin 9 as the Arduino's RX (receive) pin in our configuration. By selecting this pin, we are able to save the hardware RX pin (pin 0) for potential future usage, such as debugging or additional communication requirements.

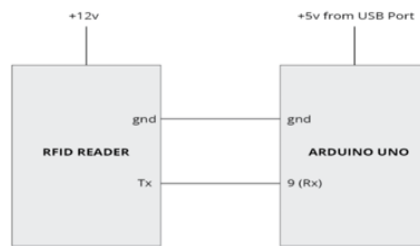


Fig. 3. Connection of RFID Reader with Arduino UNO

```

1 #include <SoftwareSerial.h>
2
3 SoftwareSerial mySerial(9, 10);
4 void setup()
5 {
6   mySerial.begin(9600); // Setting the baud rate of Software Serial Library
7   Serial.begin(9600); //Setting the baud rate of Serial Monitor
8 }
9 void loop()
10 {
11   if(mySerial.available()>0)
12   {
13     Serial.write(mySerial.read());
14   }
15 }
16

```

Fig. 4. Code for Interfacing Arduino UNO with RFID Reader

Using pin 9 as the RX pin, we can thus create a strong serial communication link between the Arduino UNO and the RFID reader thanks to the SoftwareSerial library. SoftwareSerial's adaptability is useful, particularly for projects that require the Arduino to communicate with several serial devices. Our setup makes sure that the Arduino receives the data from the RFID reader precisely so that it may be processed further.

We guarantee the effective and dependable operation of our RFID-based attendance system by establishing the connections and configuring the software as instructed. A stable and functional setup requires careful grounding and the usage of SoftwareSerial for serial communication between the Arduino and the RFID reader. With this configuration, we can precisely read the unique IDs from RFID tags, process the data on the Arduino, and use it for our program that manages attendance.

### Interfacing 20X4 Liquid Crystal Display with Arduino

We used an LCD with 16 pins to interface the Liquid Crystal Display (LCD) with our RFID-based attendance system. We carefully attached each pin to the relevant connections on the Arduino UNO, adhering to the schematic. To guarantee that all required signals are correctly sent between the Arduino and the LCD, this exact connection is essential.

We connected everything up and then turned on the Arduino to check the LCD's operation. It is essential to confirm that the LCD is getting electricity and is properly interfaced with the Arduino by performing this initial power-up. In order to verify that the LCD is working, we searched for clues during this test, such as the backlight going on or the screen showing an initialization message.

We made use of the "LiquidCrystal.h" built-in Arduino library to operate and interface with the LCD. This library offers a series of preconfigured routines that manage the complexity of the communication protocol, making the process of interacting with the LCD simpler. We can quickly initialize the LCD, configure the number of display columns and rows, and send commands or data to the display with the help of the "LiquidCrystal.h" library.

```

1 #include <Wire.h>
2 #include <LiquidCrystal_I2C.h>
3 #include <DS1307RTC.h>
4
5 LiquidCrystal_I2C lcd(0x27, 2, 1, 0, 4, 5, 6, 7, 3, POSITIVE);
6
7

```

Fig. 5. Code for Interfacing the LCD Display

Without writing low-level code, we may effectively handle the LCD's operations by integrating the "LiquidCrystal.h" library into our project. Numerous features are supported by this library, including the ability to create new characters, control the cursor location, and display characters and strings. By making use of this library, we can make sure that our LCD display is completely connected to the attendance system and offers an easy-to-use interface for information presentation and real-time feedback.

The RFID-based attendance system's overall operation depends on the LCD's effective setup and verification. Important data, including attendance confirmations, the current time obtained from the RTC module, and any error messages or system prompts, are displayed on the LCD, which is an essential component. We made sure the LCD functions dependably and satisfies the needs of our attendance management program by adhering to the connection schematic and making use of the "LiquidCrystal.h" library's features.

#### IV. PRINCIPLE OF WORKING

Students are given RFID tags in real-world situations, and each tag has their unique roll number printed on it for identification. The RFID reader is equipped with a copper coil that functions as an antenna to enable communication. The mutual inductance energy allows data sharing when a tagged student brings their tag within the reader's range. After that, the microcontroller receives this data stream and continues to verify and process it. After authentication is successful, the verified information is kept in a special database for the purpose of managing attendance.

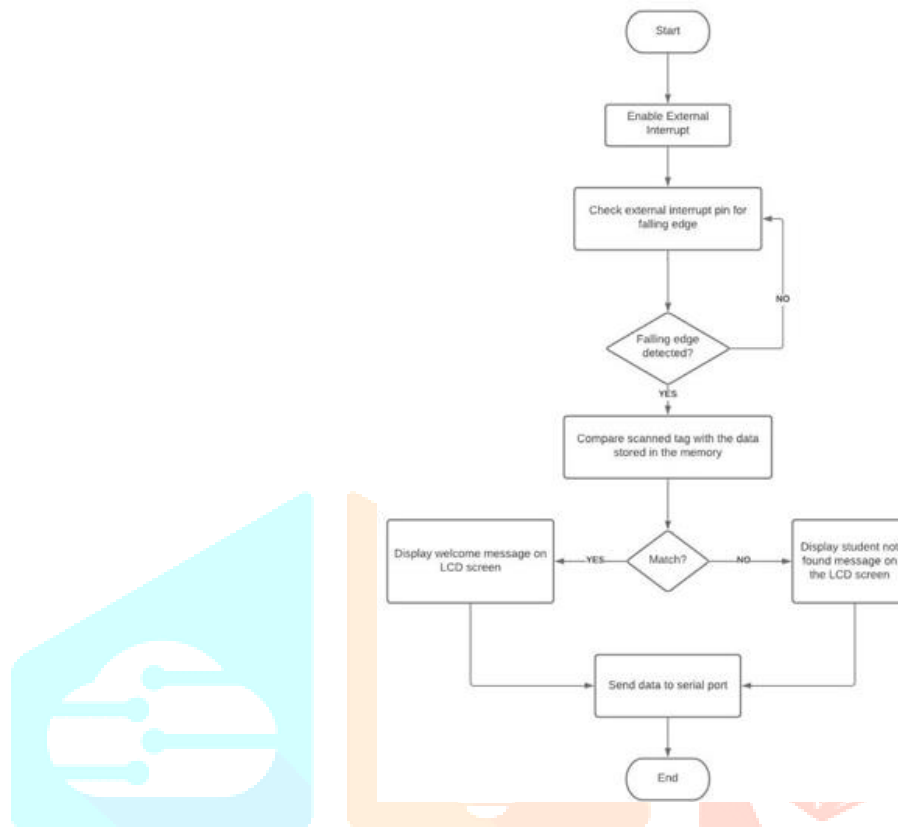


Fig. 6. Flowchart of the Working of the System

When the microcontroller confirms that the tag is valid, it alone is responsible for managing attendance. The transmit and receive pins of the RFID reader are connected to matching pins on the microcontroller, as shown in the circuit diagram. The Arduino receives data transmitted by the reader module and processes it using this established communication channel. The system has a 20 x 4 LCD module for visual feedback, which makes information display and user interaction easier. To guarantee accurate timekeeping, an RTC module is also incorporated into the system architecture. Through the use of the I2C protocol, the RTC Module connects to the Arduino through the SCL and SDA pins to facilitate data exchange.

#### V. RESULT AND DISCUSSION

Promising results were obtained from the implementation of the RFID-based attendance system, indicating its efficacy in automating attendance tracking and improving operational efficiency. A number of important conclusions from tests and evaluations highlighted the system's potential for broad implementation in academic institutions and other organizational contexts.

Table 1. Name and ID number of the Students

Name	ID
Justin	123789456
Alan	123789488

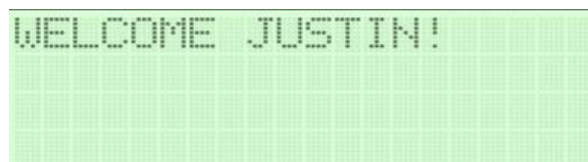


Fig. 7. Output of the model

#### Accuracy and Reliability

Improving the quality and dependability of attendance records in comparison to manual techniques was one of the main goals of the RFID-based attendance system. In order to accomplish this, the system used RFID technology to automatically record attendance information as staff members or students went past the RFID reader. By using an automated procedure, the possibility of mistakes and irregularities that might occur while collecting attendance by hand, including missing entries or erroneous timestamps, was greatly decreased. Consequently, the system generated highly accurate attendance records, giving administrators assurance regarding the dependability of the information.

### **Efficiency and Time Savings**

An additional noteworthy result of the RFID-based attendance system is the remarkable enhancement in efficiency and time savings for both staff and students. Because RFID technology can automatically gather data, manual attendance taking is no longer necessary, which frees up teachers' valuable teaching time and lessens administrative strain. The streamlined procedure helped students as well because it eliminated the need for them to physically check in with professors or stand in line to sign attendance papers. The system's capacity to properly and swiftly record attendance made teaching more effective and simplified.

### **Security and Access Control**

Incorporating RFID technology into the attendance system improved the educational institution's security and access control protocols. Students and staff were given RFID tags with distinct identification as part of the system to guarantee that only people with permission could enter certain areas or facilities. This feature enhanced overall campus security by preventing unwanted entry. Furthermore, the system's capacity to monitor and document arrival and departure timings offered insightful information for overseeing and implementing university regulations pertaining to attendance and access management.

### **Scalability and Flexibility**

With its scalability and versatility, the RFID-based attendance system may be implemented in a range of educational settings, from lecture halls to small classrooms. The system's modular architecture made it simple to expand and customize to meet evolving needs and expanding student bodies. To achieve certain goals and needs, administrators might quickly add more RFID readers or link the system with the current infrastructure.

The RFID-based attendance system's implementation outcomes demonstrate how revolutionary it may be for improving attendance tracking in educational institutions and other settings. Enhancing scalability, security, accuracy, and efficiency makes the system a strong contender for updating attendance management procedures. In the future, more investigation and system improvement may yield new advantages and uses, opening the door to improved operational efficiency and student involvement in learning environments.

## **VI. CONCLUSION**

To address the shortcomings of conventional attendance tracking techniques in educational institutions and corporate environments, the RFID-based attendance system provides a revolutionary alternative. The solution decreases administrative load, increases security, increases accuracy, and automates data capture by utilizing RFID technology. Because of its versatility and scalability, the system can be used in a variety of settings, and its continuous research and development activities indicate that more innovation is possible. The advantages of the RFID-based attendance system are evident, opening the door for more effective and efficient attendance management procedures despite certain privacy and security issues. The RFID-based attendance system has the potential to transform attendance monitoring and advance administrative procedures in a variety of industries with further development and funding.

## **REFERENCES**

- [1] Lim,T.S., Sim,S.C. &Mansor,M.M.(October 4-6, 2009), —RFID Based Attendance System| 2009 IEEE Symposium on Industrial Electronics and Applications (ISIEA 2009), Kuala Lumpur, Malaysia.
- [2] Yuru,Z., Delong,C. &Liping,T.(April, 2013), —The Research and Application of College Student Attendance System based on RFID Technology| International Journal of Control and Automation Vol. 6, No. 2.
- [3] Nainan,S., Parekh,R. &Shah,T. (October 4-6, 2009),—RFID Technology Based Attendance Management System| IJCSI International Journal Of Computer Science Issues, Vol. 10, Issue 1, No 1.
- [4] Agrawal,A.&Bansal,A.(2013),—Online Attendance Management System Using RFID with Object Counter| International Journal of Information and Computation Technology, ISSN 0974-2239 Volume 3, © International Research Publications House, Number 3 , pp. 131-138.
- [5] Shukla,A.K. (2017), -Microcontroller Based Attendance System Using RFID and GSM|| International Journal of Emerging Technologies in Engineering Research(IJETER), Vol. 5, Issue 8
- [6] Joshi, Ajay, et al. "RFID based attendance system." *Int. J. Modern Trends Sci. Tech* 7 (2021): 40-43.
- [7] Arulogun, Oladiran Tayo, et al. "RFID-based students attendance management system." (2013).
- [8] Hussain, Elima, et al. "RFID based student attendance system." *National Conference cum Workshop on Bioinformatics and Computational Biology*. 2014.
- [9] Hussain, Elima, et al. "RFID based student attendance system." *National Conference cum Workshop on Bioinformatics and Computational Biology*. 2014.
- [10] Nkalo, Ukoima Kelvin, Ekwe Ogbonnaya Agwu, and Ezeonye Chinonso Stanley. "Radio frequency identification (RFID) based attendance system with short message service (SMS) backup." *IOSR Journal of Computer Engineering (IOSR-JCE)* 21.2 (2019): 1-8.