



IoT BASED HOME AUTOMATION SYSTEM WITH WI-FI AND ESP8266

¹Likhitha U N, ²Manjunath R, ³Darshan N

¹Assistant professor, ²UG Student, ³UG Student

Department of Electrical and Electronics Engineering,

¹Sri Siddhartha Institute of Technology, Tumkur, India

Abstract: This project proposes the development of a home automation system using Wi-Fi and ESP8266. The system will allow users to control various household appliances such as lights, fans, air conditioners, and electronic devices using their smartphones or other connected devices. The proposed system will use the ESP8266 microcontroller, which has Wi-Fi capabilities, to connect to the internet and receive commands from the user's device. The system will use a web interface that will allow users to control and monitor their devices remotely. The web interface will be hosted on a local server, and the system will use MQTT protocol for data communication.

Index Terms - Wi-Fi, ESP8266, MQTT, Home automation

I. INTRODUCTION

The evolution of smart home technology has marked a significant shift in residential living, offering unparalleled convenience, efficiency, and connectivity. Initially a concept of speculative futurism, smart homes have rapidly progressed with the advent of the Internet of Things (IoT) and advancements in connectivity and sensor technologies. From the pioneering days of smart thermostats and lighting controls to the ubiquitous presence of voice-activated assistants and home automation platforms, the landscape of smart home technology has been shaped by continuous innovation and integration. Central to the smart home ecosystem are a diverse array of components, including smart hubs, appliances, environmental sensors, security systems, and energy management tools. These devices work in harmony to create an interconnected environment where homeowners can control and automate various aspects of their daily lives with unprecedented ease and efficiency. Whether it's adjusting the thermostat from a smartphone, monitoring home security cameras remotely, or optimizing energy usage with smart lighting and appliances, smart home technology offers a wealth of functionalities aimed at enhancing the residential experience. The adoption of smart home technology is driven by a multitude of factors, including the promise of convenience, safety, energy efficiency, and environmental sustainability. As consumers increasingly prioritize convenience and seek ways to streamline their lifestyles, smart home devices offer intuitive solutions that align with their needs and preferences. Moreover, growing concerns about safety and security, coupled with rising energy costs and environmental awareness, further fuel the demand for smart home solutions. We aim to delve deeper into the impact and potential of smart home technology in reshaping residential living. By analyzing user experiences, technological advancements, market trends, and potential challenges, we seek to provide valuable insights that inform and guide stakeholders towards harnessing the full benefits of smart home technology for a more connected, efficient, and sustainable future.

II. PROBLEM STATEMENT

The traditional home automation systems are often complex and expensive, making it difficult for the common household to adopt them. Additionally, many of these systems are not easily accessible from a remote location, making it challenging to monitor and control home appliances when away from home. The proposed IoT based home automation system aims to address these issues by providing an affordable and user-friendly solution that can be accessed from anywhere using a smartphone application. By using the ESP8266 microcontroller the system will provide a cost-effective and efficient solution that will enable users to control all home appliances from a single platform.

III. PROPOSED SYSTEM

The proposed system consists of two primary components: the hardware and the software. The hardware component includes the ESP8266 microcontroller, which is used to control the appliances using a web interface. The following sections provide a detailed description of the proposed system components. The hardware component of the system consists of the ESP8266 microcontroller, which acts as the central processing unit (CPU) of the system. The ESP8266 is a low-cost, Wi-Fi enabled microcontroller that can be easily programmed using the Arduino IDE. The ESP8266 communicates with the home appliances using various protocols, such as Infrared (IR) or Radio Frequency (RF) communication. To control the appliances, the ESP8266 is connected to a relay board that switches the appliances ON or OFF based on the user's commands. The relay board is connected to the ESP8266 via GPIO pins, and the appliances are connected to the relay board. The web interface is designed to provide users with an easy-to-use interface for controlling the appliances. The user can turn ON or OFF the appliances. The application communicates with the ESP8266 using Wi-Fi, and the ESP8266 responds to the user's commands by switching the appliances ON or OFF.

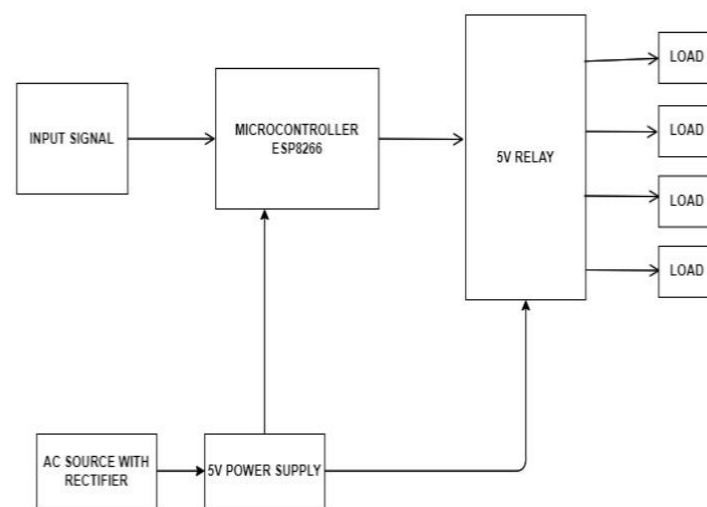


Fig.1. Block diagram

IV. WORKING MODULES

Hardware module: This module comprises the hardware components of the system, including the ESP8266 microcontroller, relay board, and the home appliances. The hardware module is responsible for processing commands from the smartphone application and controlling the appliances accordingly.

Wi-Fi module: This module is responsible for establishing a Wi-Fi connection between the smartphone application and the ESP8266 microcontroller. The Wi-Fi module enables the smartphone to send commands to the microcontroller over a wireless network.

Control module: This module is responsible for processing the commands received from the smartphone and controlling the appliances accordingly. The control module communicates with the hardware module using a web interface to switch the appliances ON or OFF based on the received commands.

Storage module: This module is responsible for storing the schedules, timers, and custom control settings for the appliances. The storage module enables users to create custom schedules and settings for their appliances .

V. RESULT

The implementation of smart home technology yields a myriad of results and outcomes that significantly enhance residential living. At the forefront is the convenience and efficiency afforded by streamlined daily tasks and routines. Through automated controls and remote access capabilities, mundane chores become effortless, allowing residents to focus on more meaningful activities. Moreover, smart home security systems provide round-the-clock surveillance and real-time alerts, ensuring the safety of occupants and property, even when away from home. In addition to safety, smart home technology leads to energy savings and sustainability by optimizing energy usage and reducing waste. Features such as energy efficient appliances, automated lighting controls, and smart thermostats contribute to sustainable living practices and long-term cost savings. Furthermore, smart home devices support healthier lifestyles by monitoring indoor air quality, regulating temperature and humidity levels, and promoting better sleep habits. Integrated wellness features encourage physical activity, proper nutrition, and overall wellness management. With remote monitoring and control capabilities, homeowners can stay connected to their homes from anywhere in the world, adjusting settings, checking security cameras, or receiving alerts as needed. These benefits, along with increased property value and future-proofing through scalability, make smart home technology a transformative addition to modern residential living, empowering homeowners to live better, safer, and more sustainable lives.

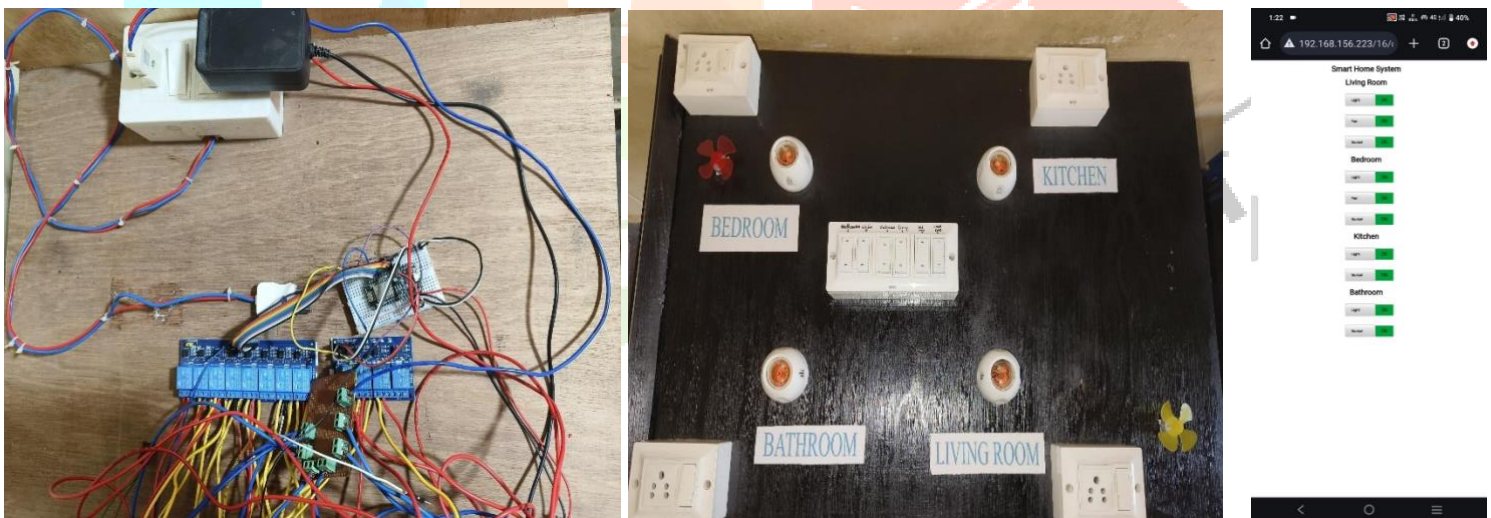


Fig.2.Working module of Home automation

VI. MERITS

Improved Quality of Life: Smart home technology enhances the overall quality of life by offering convenience, comfort, and accessibility. With automated tasks, remote monitoring capabilities, and personalized settings, residents can enjoy a more streamlined and enjoyable living experience.

Enhanced Safety and Security: One of the primary merits of a smart home project is the bolstering of safety and security measures. Smart security systems, surveillance cameras, and remote monitoring functionalities provide homeowners with peace of mind and protection against intruders, accidents, and emergencies.

Energy Efficiency and Sustainability: Smart home technology promotes energy efficiency and sustainability by optimizing energy usage, reducing waste, and lowering utility bills. Features such as programmable

thermostats, energy monitoring systems, and smart appliances contribute to a greener and more eco-friendly living environment.

Cost Savings: The implementation of smart home technology can lead to significant cost savings over time. By reducing energy consumption, minimizing water usage, and enhancing home security, homeowners can lower their utility bills and maintenance expenses, ultimately saving money in the long run.

Increased Property Value: Homes equipped with smart home technology often command higher resale values and attract a broader range of potential buyers.

Future-Proofing: By investing in a smart home technology project, homeowners futureproof their properties against technological advancements and evolving lifestyle trends. The modular and scalable nature of smart home systems allows for easy upgrades and expansions as new technologies emerge, ensuring that the home remains relevant and up-to-date.

Accessibility and Inclusivity: Smart home technology promotes accessibility and inclusivity by empowering individuals with disabilities or mobility limitations to live more independently and comfortably. Voice-controlled assistants, automated routines, and remote monitoring features enable residents to manage their homes with greater ease and autonomy.

VII. CONCLUSION

In conclusion, the IoT based home automation system is a practical solution for homeowners looking to automate their homes and control their appliances from a smartphone application. By integrating the ESP8266 microcontroller with a relay board and developing a web interface so that users can control their appliances remotely and set custom schedules and control settings. The system's modular design enables easy maintenance and scalability, and the use of Wi-Fi connectivity allows for seamless wireless communication between the smartphone application and the microcontroller. The proposed system offers several advantages, including improved energy efficiency, enhanced convenience, and greater control over home appliances. It also provides an opportunity for future enhancements such as voice control, machine learning, and energy monitoring. Overall, the IoT based home automation system represents a practical and scalable solution for homeowners looking to automate their homes and improve their quality of life.

Voice control: Adding voice control functionality to the smartphone application would enable users to control their home appliances using voice commands. This would enhance the usability of the system, particularly for individuals with disabilities or mobility issues.

Machine learning: Integrating machine learning algorithms into the system could enable it to learn from the user's behavior and automatically adjust the appliances' settings based on their preferences. This could improve the system's efficiency and reduce the need for manual intervention.

Security features: Adding security features such as two-factor authentication, data encryption, and user authentication could enhance the system's security and protect user data from unauthorized access.

Energy monitoring: Adding energy monitoring functionality to the system could enable users to track their energy consumption and identify ways to reduce their energy usage.

Integration with smart devices: Integrating the system with other smart devices such as smart speakers, smart thermostats, and smart locks could create a more comprehensive home automation system and enhance the user experience.

Solar power integration: Integrating the system with solar panels could enable users to power their home appliances using renewable energy, reducing their reliance on grid electricity and lowering their carbon footprint.

REFERENCES

- [1] J. Gubbi, R. Buyya, S. Marusic, and M. Palani swami, "Internet of things (IoT): A vision, architectural elements, and future directions," *Future generation computer systems*, vol. 29, no. 7, pp. 1645–1660, 2013.
- [2] T. Yang, C. Yang, and T. Sung, "A dynamic distributed energy management algorithm of home sensor network for home automation system," in *2016 Third International Conference on Computing Measurement Control and Sensor Network (CMCSN)*, May 2016, pp. 174–177.
- [3] M. M. A. Jamil and M. S. Ahmad, "A pilot study: Development of home automation system via raspberry pi," in *Biomedical Engineering (ICoBE), 2015 2nd International Conference on*. IEEE, 2015, pp. 1–4
- [4] I. Krishna and K. Lavanya, "Intelligent home automation system using bit voicer," in *2017 11th International Conference on Intelligent Systems and Control (ISCO)*, Jan 2017, pp. 14–20.
- [5] R. Ramlee, D. Tang, and M. Ismail, "Smart home system for disabled people via wireless Bluetooth," in *System Engineering and Technology (ICSET), 2012 International Conference on*. IEEE, 2012, pp. 1–4.
- [6] K. A. Rather and M. Kansal, "A review on ZigBee based remote sensing and controlling system," *International Research Journal of Engineering and Technology*, vol. 3, no. 6, 2016.
- [7] R. Piyare and M. Tazil, "Bluetooth based home automation system using cell phone," in *Consumer Electronics (ISCE), 2011 IEEE 15th International Symposium on*. IEEE, 2011, pp. 192–195.
- [8] N.-S. Liang, L.-C. Fu, and C.-L. Wu, "An integrated, flexible, and internet-based control architecture for home automation system in the internet era," in *Robotics and Automation, 2002. Proceedings. ICRA '02. IEEE International Conference on*, vol. 2. IEEE, 2002, pp. 1101–1106.
- [9] P. Mtshali and F. Khubisa, "A smart home appliance control system for physically disabled people," in *2019 Conference on Information Communications Technology and Society (ICTAS)*, March 2019, pp. 1–5.
- [10] Li,B.&Yu,J.(2011).Research and application on the smart home based on component technologies and Interact of Things. *Procedia Engineering*,15,2087-2092
- [11] Juve,Gideon,et al. "Scientific workflow applications on Amazon I EC2." 2009 5th IEEE international conference on e-science workshops. IEEE.2009
- [12] *International Journal of Engineering and Advanced Technology (IJEAT)* ISSN: 22498958 (Online), Volume-8 Issue-5, June 2019
- [13] Cxyz,Jakub,ct al. "measuring ipv6 adoption." *ACM SIGCOMM Computer Communication Review*. Vo1. 44. No. 4. ACM, 20