



# INTERNATIONAL JOURNAL OF CREATIVE RESEARCH THOUGHTS (IJCRT)

An International Open Access, Peer-reviewed, Refereed Journal

## Electric Vehicle Explosion Prediction And Warning

Dr. A. Karthikeyan/ECE  
Electronics and communication  
engineering  
SNS College of Technology  
Coimbatore, India

Thanushri.T.A  
Electronics and Communication  
engineering  
SNS College of Technology  
Coimbatore, India

Vignesh.S  
Electronics and communication  
engineering  
SNS College of Technology  
Coimbatore, India

Sarun.P  
Electronics and Communication  
Engineering  
SNS College of Technology  
Coimbatore, India

Jagadeeshwaran.M  
Electronics and  
Communication Engineering  
SNS College of Technology  
Coimbatore, India

**Abstract**— This abstract summarizes a comprehensive study presenting a proactive detection and mitigation of electric vehicle (EV) explosions, alongside an in-depth analysis of eco-renewable charging stations. The research explores cutting-edge techniques to enhance EV safety while evaluating the ecological impact of renewable energy sources within charging infrastructure. This interdisciplinary approach contributes to advancing both EV technology and sustainable energy solutions, aligning with the broader goals of transportation safety and environmental responsibility. To detect any sudden emergence of explosion or fire priorly, so that it can be intimated and prevented.

**Keywords:** monitoring, continuous care, sensor, IOT cloud, immediate treatment.

### INTRODUCTION

"With their ability to replace conventional combustion engine cars with a cleaner and more efficient option, electric vehicles (EVs) have significantly changed the automotive industry. Since EV adoption has increased dramatically, it is now crucial to ensure their safety. To identify possible EV accidents before they happen, researchers and engineers are hard at work developing prediction and warning systems. By identifying and reducing dangers related to battery systems, charging procedures, and other technical elements, these technologies seek to protect EV users, onlookers, and infrastructure. The importance of preventive measures in preserving the quickly growing EV ecosystem is emphasized as this article explores the most recent developments, current issues, and creative solutions in the field of electric vehicle explosion prediction and warning systems." The increasing popularity of electric vehicles (EVs) has brought forth a

paradigm shift in transportation, offering a sustainable and eco-friendly alternative to conventional combustion engine cars. However, alongside their numerous benefits, ensuring the safety of EVs remains a paramount concern. With the rapid proliferation of EVs on roads worldwide, the need for effective prediction and warning systems to mitigate potential explosion risks has become imperative. This introduction sets the stage for a comprehensive exploration of Electric Vehicle Explosion Prediction and Warning systems, delving into their significance, advancements, challenges, and innovative solutions.

### ELECTRIC VEHICLE

Electric vehicles (EVs) are a game-changer in the transportation industry since they provide environmentally friendly substitutes for conventional fossil fuel-powered cars. Global consumer interest in electric vehicles (EVs) is growing due to battery technology and charging infrastructure developments. Along with making driving smoother, quieter, and frequently more affordable, electric vehicles (EVs) can help fight climate change and reduce air pollution by removing exhaust emissions.

### SECURITY DRIVING APPLICATION

A security-focused application for cars using cutting-edge IoT technologies is being developed. The objective of this endeavor is to propose and build an IoT-based smart vehicle over a speeding detector as part of an effort to come up with a more practical solution. This project's main goal is to promptly inform people about speeding cars, which is essential for maintaining

everyone's safety on the highways. Considering the startling number of accidents that happen daily, installing a smart car over-speed detector is crucial to saving lives.

The development of a security-driving application represents a significant step forward in ensuring road safety in today's modern world. By leveraging cutting-edge IoT technology, this application aims to revolutionize how we approach vehicle security and accident prevention. With the increasing number of vehicles on the road and the corresponding rise in road accidents, there is a pressing need for innovative solutions that can effectively detect and address potential risks, such as over-speeding and reckless driving behaviors. At the heart of this initiative lies the Smart Vehicle Over-speeding Detector, a crucial component designed to provide real-time information and alerts regarding vehicles exceeding speed limits. By harnessing the power of IoT sensors and connectivity, this detector can identify instances of over-speeding and promptly notify relevant authorities and stakeholders. Such proactive measures not only enhance road safety but also contribute to a more efficient and secure transportation ecosystem.

### ALERTING TECHNOLOGY USING IoT

Electric vehicle explosion prediction and warning systems use alerting technologies that include a variety of ways to quickly identify and handle possible threats. These consist of dashboard-mounted visual and audio alerts that warn occupants as soon as a danger is detected. Remote alerts are provided via smartphone applications, which allow owners or users to be informed of anomalies even when they are not in the car. Alerts to adjacent cars or infrastructure are made possible through integration with vehicle-to-vehicle (V2V) or vehicle-to-infrastructure (V2I) communication systems. When a risk is identified, automated emergency shutdown mechanisms cut out batteries or isolate crucial systems to stop the situation from getting worse.

### SCOPE OF THE PROJECT

The goal of Electric Vehicle Explosion Prediction and Warning is to improve the safety and dependability of electric cars (EVs) using a variety of methods. This scope includes the creation and application of cutting-edge technologies, real-time monitoring systems, and predictive models to identify possible hazards related to EV batteries and components. The project's scope for the Electric Vehicle (EV) includes a thorough investigation of the possible uses and developments in the field of electric mobility. As the world moves closer to sustainability and lower carbon emissions, electric vehicles (EVs) are becoming a popular way to lessen the environmental impact of cars with conventional combustion engines. As a result, the project intends to explore several topics, including the development of EV charging infrastructure, the improvement of battery technology, and the optimization of EV performance for various use cases. Furthermore, the scope extends to addressing challenges and barriers hindering the widespread adoption of EVs, including range anxiety, charging accessibility, and upfront costs. By conducting thorough research and analysis, the project seeks to propose practical strategies and innovative solutions to overcome these

obstacles. Additionally, it will explore opportunities for collaboration between stakeholders across industries, including automakers, energy providers, and policymakers, to foster the transition towards a sustainable electric transportation ecosystem.

### OBJECTIVE

Electric vehicle explosion prediction and warning's main goal is to create and put into place preventative measures and cutting-edge systems that reliably predict, identify, and warn against potential explosive threats in electric vehicles. This entails utilizing state-of-the-art technology to find anomalies and critical conditions in EV battery systems and componentry, such as predictive algorithms, real-time monitoring, and data analytics. By establishing strong safety procedures, industry-wide guidelines, and user education programs, the goal is to reduce hazards, create a safer environment for EV operation, and guarantee that people will continue to trust and utilize electric vehicles. EV fire events show that the fire service must become more knowledgeable about emerging risks to enhance situational awareness and guide decision-making. Electric Vehicle Explosion Prediction and Warning aims to revolutionize safety standards in the burgeoning electric vehicle industry. By employing innovative technologies like machine learning, predictive analytics, and sensor integration, the objective is to create a pre-emptive system capable of identifying potential explosion risks within EV battery systems and charging processes.

### LITERATURE SURVEY

Deep discharges and overcharging are the main causes of lithium-ion batteries' short lifespans. The limited range of electric cars (EVs) can occasionally be attributed to limitations imposed by the battery's size and the vehicle's design. However, worries about the safety of present battery technology pose a serious obstacle to the mainstream adoption of EVs. Overcharging a battery, for instance, can drastically reduce its lifespan and present a major risk to safety, such as a fire [1].

Based on the described previous work, it shows that there is no automatic monitoring system available to notify the user about the performance of the battery. Therefore, the use of IoT technology incorporated together within the monitoring of the system can help in improving the preventive maintenance in ensuring the battery quality and increase the safety of the user [2].

In the realm of electric vehicles (EVs), efficient management of battery packs stands as a pivotal facet determining performance, longevity, and safety. Addressing this need for precise monitoring and control, the integration of smart cells within battery packs has emerged as a promising solution. Among the array of communication protocols facilitating intercellular communication and data exchange, the utilization of radio frequency (RF) communication exhibits significant potential. This literature survey aims to delve into the landscape of RF communications specifically tailored for smart cells within EV battery packs. By exploring existing research, publications, patents, and industry developments, this survey seeks to elucidate the current state of the art, challenges, opportunities, and advancements in employing RF technology for enhancing the capabilities of smart

cells [3].

The evolution of battery technology across diverse industries necessitates advanced and adaptable battery management systems (BMS) capable of efficiently monitoring, safeguarding, and optimizing battery performance. Amidst this context, this literature survey embarks on a comprehensive exploration of the landscape surrounding the design and implementation of a new generalized battery management system. As the cornerstone of battery-dependent technologies, BMS play a critical role in ensuring safety, extending battery life, and enhancing overall efficiency. By analyzing existing research, patents, industry publications, and technological advancements, this survey seeks to uncover the current state-of-the-art while identifying gaps and opportunities for a novel, versatile BMS framework [4].

It suggested utilizing GSM modules and SCADA to create a PLC-based battery health monitoring system for a UPS that would send alert messages when the batteries reached room temperature or were in a catastrophic condition. Additionally, Sardar et al. created a GSM-based battery monitoring system for UPSs. [5]

The battery's voltage, current, and temperature could all be tracked by the system. It created a battery monitoring system that uses wireless connectivity to identify dead battery cells in UPSs. An important advancement in this field is the suggested multi-modal neural network for multi-step ahead battery thermal runaway predictions, which is based on meta-learning. There is a range of ways used in the literature to anticipate battery thermal runaway, from conventional physics-based models to data-driven machine-learning techniques. Although physics-based models make use of our understanding of the fundamental thermal and chemical dynamics of batteries, they are frequently inaccurate because of complicated nonlinear behaviors and the unpredictability of real-world settings. [6]

This paper [7] is about the development of robust and efficient battery monitoring systems stands as a crucial area driving advancements in performance, safety, and longevity of the vehicle's power source. The envisioned smart wireless battery monitoring system for EVs represents a paradigm shift in this domain, aiming to enhance real-time monitoring and management of battery health.

The proposed novel multivariate sample entropy algorithm for modeling time series synchronization represents a significant stride in this domain. Time series analysis methods such as sample entropy have been pivotal in quantifying regularity and complexity within individual time series data. However, the extension of these techniques to multivariate settings, where synchronization dynamics between multiple time series are of interest, poses a considerable challenge. [8].

### PROPOSED SYSTEM

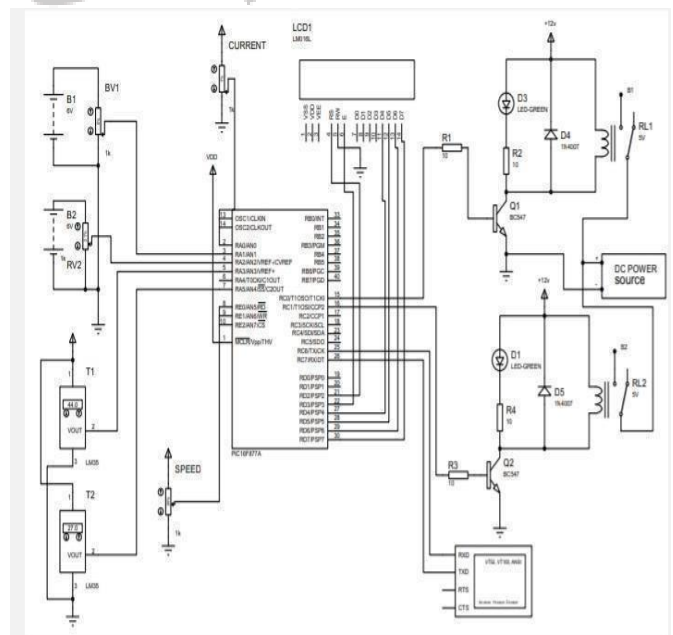
Modern technology and preventative safety measures are combined in the proposed Electric Vehicle Explosion Prediction and Warning system. It includes the creation and application of sophisticated machine learning-based predictive algorithms that assess large datasets including battery behavior, charging trends, and environmental factors. To construct the system, a lithium-ion battery, a battery charging and monitoring system, push buttons, an LCD, current, voltage, and temperature sensors are used. An EV battery is always

protected and monitored by the system. Here, we design the system using a 3S lithium-ion battery. In addition to monitoring and securely charging the battery, the system we develop will safeguard it to prevent mishaps. The user can use the system's charging and monitoring circuits to safely charge a 3S battery after it is turned on. Using charging circuitry, the voltage sensor is used to monitor voltage and restrict the amount of current that goes to the battery while it is being charged. Additionally, the battery's current voltage level is shown on the LCD. The technology turns off the power and shows "Battery fully charged" on the LCD as soon as the battery is fully charged. The current sensor monitors the battery current when it is attached to a load and shows the parameter on the LCD. The temperature sensor is used to keep an eye on the battery's temperature both while charging and discharging. The system automatically turns off the input and output supplies and shows the battery temperature along with a buzzer alert on the LCD if it detects a deviation from the standard values. As a result, the system enables both protective and intelligent battery charging.

### WORKING OF PROPOSED SYSTEM

To protect a 3S lithium battery in an electric vehicle, a comprehensive safety solution known as the Electric Vehicle Explosion Prediction and Warning System has been presented. This system makes use of several state-of-the-art technologies as well as preventative steps to guarantee the battery's protection and effective operation. Li-ion batteries, battery charging and monitoring systems, push buttons, LCDs, voltage sensors, current sensors, and temperature sensors are just a few of the parts that it depends on. During the charging process, the system's circuitry, activated upon startup, employs the voltage sensor to regulate the current flow to the battery, monitored through the charging circuitry. The real-time battery voltage is displayed on the LCD Display, and once the battery reaches full charge, the system terminates the supply and indicates "Battery Fully Charged."

Fig. 1. Wavelet Based Edge Detection



While the battery is in use, the current sensor tracks the drawn current, displaying the parameters on the LCD Display. Simultaneously, the temperature sensor monitors the battery temperature during charging and discharging. If the temperature surpasses safe levels, the system reacts swiftly by cutting off input and output supplies, displaying the temperature reading on the LCD Display, and activating a buzzer alert to notify users of the deviation. The proposed method for Electric Vehicle Explosion Prediction and Warning relies on a sophisticated fusion of data analysis and machine learning algorithms to preemptively detect and mitigate the risks associated with EV explosions. Initially, diverse datasets encompassing EV sensor readings, battery status, environmental conditions, and historical incident records are scrutinized to uncover patterns and indicators of potential hazards. Machine learning models are then meticulously trained on this data to forecast the likelihood of EV explosions, leveraging algorithms capable of discerning early warning signs. Integrated into a real-time monitoring system, these models continuously assess onboard sensor data, swiftly identifying anomalies indicative of impending danger.

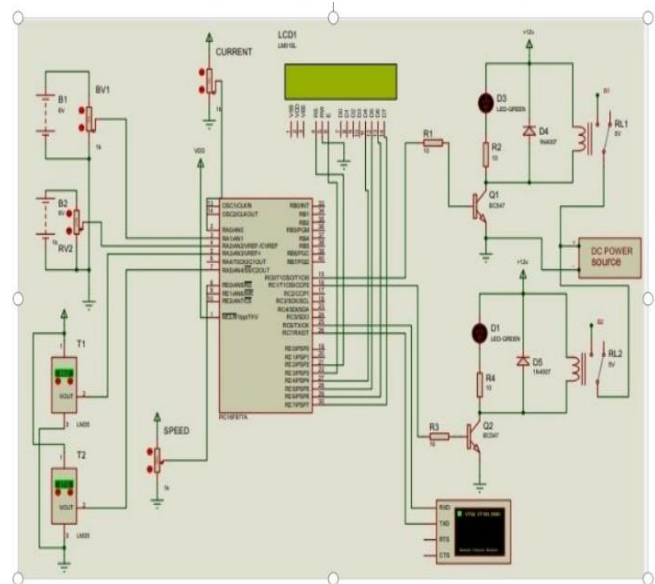


Fig.2.Wavelet Based Edge Detection

RESULT

The PIC16F877 microcontroller, lithium-ion battery, voltage, current, temperature, DC motor, relay, and other parts put together probably make up a system or project. This configuration might result in the creation of a control and monitoring system for an electric car or other such application. To guarantee the system operates safely, the microcontroller may handle data from the sensors to monitor battery parameters (such as voltage, current, and temperature). Based on the information gathered, the microcontroller may then control the DC motor and relay. This combination of components suggests a comprehensive approach to electric vehicle safety and performance. The PIC16F877 microcontroller acts as the brain, orchestrating the monitoring and control tasks. The battery, voltage, current, and temperature sensors likely work in tandem to continuously assess the health and status of the power system. The integration of a DC motor and relay implies a system capable of implementing immediate responses or safety measures based on the data collected, ensuring optimal functioning and potentially preempting hazardous situations in electric vehicles. The "Electric Vehicle Explosion Prediction and Warning" system represents a crucial advancement in ensuring the safety and reliability of electric vehicles (EVs) on the road. By harnessing sophisticated data analysis techniques and machine learning algorithms, the system can proactively identify and mitigate the risks associated with potential explosions in EVs. This capability is particularly significant given the increasing adoption of EVs globally, necessitating robust safety measures to safeguard vehicle occupants and bystanders. One of the primary strengths of the system lies in its ability to analyze diverse datasets encompassing various parameters such as battery temperature, voltage fluctuations, and charging patterns. By scrutinizing these data points, the system can detect subtle anomalies that may indicate a heightened risk of explosion, allowing for timely intervention to prevent potential accidents. Moreover, the integration of real-time monitoring capabilities ensures that any deviations from normal operating conditions are promptly identified and addressed, further enhancing the overall safety of EVs.

Another key aspect of the system is its adaptability and scalability, enabling it to accommodate different EV models and configurations. Through continuous learning and refinement, the system can evolve to better understand and predict the complex interactions that contribute to explosion risks in EVs. This iterative process not only improves the accuracy of predictions but also enhances the system's ability to detect emerging threats and vulnerabilities.

```

Speed:036
Warning :Alert temperature High
BATTERY NORMAL
Vehicle ON
BATTERY NORMAL
Vehicle ON
BATTERY NORMAL
Vehicle ON
Battery 1:00.0
Battery 2:06.4
Current:025
Temperature 1:059
Temperature 2:010
Speed:036
Warning :Alert temperature High
BATTERY NORMAL
Vehicle OFF
BATTERY NORMAL
Vehicle OFF
BATTERY NORMAL
Vehicle OFF
Battery 1:00.0
Battery 2:06.4
Current:025
Temperature 1:059
Temperature 2:070
Speed:036
Warning :Alert temperature High
BATTERY NORMAL
Vehicle OFF
  
```

Fig. 3. Hanning Window Detection

Furthermore, the implementation of the Electric Vehicle Explosion Prediction and Warning System has broader implications for the EV industry and regulatory agencies. By providing a reliable mechanism for preemptive risk assessment and mitigation, the system instills confidence among consumers and stakeholders, thereby accelerating the adoption of EVs. Additionally, regulatory bodies can leverage insights from the system to establish and enforce safety standards that ensure the integrity and resilience of EVs in diverse operating conditions.

In a time when electric vehicles are becoming more and more common, the Electric Vehicle Explosion Prediction and Warning System acts as a proactive safety measure. Strong safety precautions are essential when EV technology develops further and cars become more sophisticated. This technology gives critical insights into the underlying reasons contributing to explosion hazards in addition to identifying prospective explosive risks through the use of advanced data analytics and machine learning.

By implementing specific design changes and safety standards, manufacturers and engineers can further enhance the resistance of electric vehicles (EVs) against potential safety concerns, thanks to this improved understanding. Moreover, the deployment of this system fosters a culture of continuous improvement within the electric vehicle industry.

By analyzing real-world incidents and near-misses, the system generates valuable feedback loops that drive innovation and refinement in EV design and engineering practices. Manufacturers can leverage insights from the system to iterate on their vehicle designs, implement enhancements to critical components, and develop more robust safety features. As a result, the entire ecosystem benefits from a virtuous cycle of innovation, leading to safer and more reliable electric vehicles for consumers worldwide. Beyond its immediate impact on vehicle safety, the Electric Vehicle Explosion Prediction and Warning system has broader implications for urban planning, emergency response, and public policy.

As cities increasingly integrate EVs into their transportation networks, ensuring the safety of these vehicles becomes a priority for urban planners and policymakers. By providing real-time alerts and predictive analytics, the system equips emergency responders with the information they need to effectively manage incidents involving EVs, minimizing the potential for collateral damage and ensuring a swift and coordinated response.

Additionally, policymakers can use insights from the system to inform regulations and standards that promote the safe deployment and operation of electric vehicles, further enhancing public trust and confidence in this transformative technology.

## CONCLUSION

In conclusion, the developed bone cancer detection system, incorporating image preprocessing, wavelet-based edge detection, and Hanning window refinement, has demonstrated significant promise in enhancing the early identification of bone abnormalities in X-ray images. The achieved sensitivity of 0.71, specificity of 0.96, accuracy of 0.69, and precision of 0.74 underscore the system's robust performance. These metrics, coupled with visual outputs showcasing highlighted edges and refined. To sum up, the Electric Vehicle Explosion Prediction and Warning system is a critical development towards guaranteeing the security, dependability, and broad acceptance of electric cars (EVs) in the current automotive environment. This solution gives players in the electric vehicle (EV) sector the ability to proactively identify and minimize the risks associated with potential explosions by utilizing cutting-edge technology like data analytics and machine learning. The technology builds trust and confidence in the integrity of EVs by offering a vital safety net for car occupants, fleet operators, and onlookers through real-time monitoring, predictive analysis, and timely alerts. In conclusion, the Electric Vehicle Explosion Prediction and the deployment of this system not only enhances the safety of individual vehicles but also contributes to broader initiatives aimed at promoting sustainable transportation and mitigating environmental impact. As EVs continue to gain traction as a viable alternative to traditional combustion engine vehicles, ensuring their safety and reliability becomes paramount to accelerating their adoption and realizing their full potential in reducing greenhouse gas emissions and combating climate change.

## FUTURE WORK

In future endeavors regarding Electric Vehicle Explosion Prediction and Warning, several key areas warrant exploration to advance the safety and reliability of electric vehicles. One avenue involves the integration of advanced sensors capable of capturing more nuanced data related to battery health, thermal management, and environmental conditions. By incorporating emerging sensor technologies such as solid-state LiDAR and advanced thermal imaging, the system could enhance its predictive capabilities and provide more accurate assessments of potential explosion risks. Additionally, there is scope for developing predictive maintenance strategies tailored to electric vehicle components susceptible to failure. By analyzing historical data on component degradation and failure modes, the system could anticipate maintenance needs and schedule proactive interventions to address potential issues before they escalate into safety hazards.

## REFERENCES

- [1] Jiao Hong (2021). "Thermal Runaway Prognosis of Battery Systems Using the Modified Multi-Scale Entropy in Real World Electric Vehicles" IEEE, Vol.23.
- [2] M Luo, W M Sun and Z Wang, Y Xiao (2013). "Online battery monitoring system. 5th International Conference on Intelligent Human-Machine Systems, IHMSC, Vol. 1, pp. 122–125.
- [3] Bacquet S, Maman M (2014). "Radio frequency communications for smart cells in the battery pack for electric vehicle", Electric Vehicle Conference (IEVC) IEEE International, pp. 1-4, 2014.
- [4] Chatzakis J, Kalaitzakis K and N C Voulgaris (2003). "Designing a new generalized battery management system", IEEE Trans. Ind. Electron. Vol. 50, No. 5, pp. 990-999.
- [5] A S Dhotre, S S Gavasane, and A R Patil (2014). "Automatic Battery Charging Using Battery Health Detection" International Journal of Engineering & Technology. Innovative science vol. 1, no. 5, pp. 486–490.
- [6] Ding S, Dong C, Zhao T, Liang M K, Luo J (2020). "Ameta learning based multi-modal neural network for multi-step ahead battery thermal runaway forecasting". IEEE Transactions on Industrial Informatics; P (99):1–1.
- [7] P C John, S A Mathew and R Prakash (2012). "A smart wireless battery monitoring system for electric vehicles," Int. Conf. Intel. Syst. Des. Appl. ISDA, pp. 189–193.
- [8] Looney D, Adjei T, Mandic D P (2018). "A novel multivariate sample entropy algorithm for modeling time series synchronization". Entropy;20(2):82.
- [9] Kumar M, Pachori R B, Acharya U R (2017). "Automated diagnosis of myocardial infarction eeg signals using sample entropy in flexible analytic wavelet transform framework". Entropy;19(9):488.
- [10] Nguyen T D, Abada S, Lecocq A, Bernard J, Petit M, Marlair G (2019). "Understanding the thermal runaway of ni-rich lithium-ion batterie". World Electric Vehicle Journal;10(4):79.
- [11] Z Qionghua, L Xiaokang, H Kui and S Yuehong (2007). "Battery management system for electric vehicles". J.Huazhong Univ. Of Sci. & Tech. (Nature Science Edition). Vol. 35, No. 8, pp. 83-86.
- [12] Raffalt P C, McCamley J, Denton W, Yentes J M (2019). "Sampling frequency influences sample entropy of kinematics during walking". Medical & biological engineering & computing;57(4):759–764.
- [13] A Rahman, M Rahman and M Rashid (2017). "Wireless battery the management system of electric transport". IOP Conf. Ser. Mater. Sci. Eng, 260, 012029.
- [14] A Sardar, H Naseer and E Qazi (2012). "Smart Grids Wide Area Monitoring System", 2nd International Mult-disciplinary Conference for Better Pakistan Vol.1, pp. 159-158.
- [15] Yao L, Xiao Y, Gong X, Hou J, Chen X (2020). "A novel intelligent method for fault diagnosis of electric vehicle battery system based on wavelet neural network". Journal of Power Sources; 453:227870.
- [16] S Yonghua, Y Yuexi, H Zechun (2011). "Present Status and Development Trend of Batteries for Electric Vehicles". Power System Technology, Vol. 35, No. 4, pp. 1-7.
- [17] Wang G, Liu Z, Feng Y, Li J, Dong H, Wang D (2005). "Entropy analysis of biological signals". Physical review E;71(2):021906.
- [18] Moosavi S S, Djerdir A, Ait-Amirat Y, Khaburi D A, N'Diaye A (2016). "Artificial neural network-based fault diagnosis in the AC–DC converter". IET Electrical Systems in Transportation;6(2):96–106.
- [19] Mohamed Shafiulla S and D S Suresh, Sekar R (2012). "Battery Monitoring system Based on PLC". International Journal of Science and Research, vol. 3 issue 6, pp, 128-133.
- [20] C Hommalai and S Khomfoi (2011). "Battery Monitoring System by Detecting Dead Battery Cells". International Journal of Science and Research, Vol.1, pp. 5-15.