



# A Method for Fault Classification in Transmission Lines Based on ANN

<sup>1</sup>Mr. Abhijit Dhanraj Lokhande, <sup>2</sup>Prof. P. G. Bonde

<sup>1</sup>M.E Student Dr. Sau. KGIET Darapur Dist. Amravati, <sup>2</sup>Dr. Sau. KGIET Darapur Dist. Amravati

## Abstract: -

Currently, the differential function has been widely used in transformer protection relay. However, the main issue of this technique is assigned to the relay mis operation during the presence of inrush currents and current transformer (CT) saturation. In the literature, these limitations have been overcome with the use of tools based on artificial intelligence and signal processing, such as the methods based on artificial neural networks and wavelet transform. This paper proposes a method based on the ANNs and wavelet transform to detect and classify disturbance in the power transformer accurately. The algorithm uses wavelet based disturbance detector in order to detect any disturbance related to a power transformer, whereas a neural network based routine is used to classify the disturbance type (internal fault, external fault and transformer energization) appropriately, as well as to classify the internal faults. Several events were simulated, such as external and internal faults, with variations of fault resistance, fault inception angle, and fault type parameters, as well as transformer energizations. The method presented an excellent success rate regarding the correct classification of the disturbance as well as an accurate fault classification.

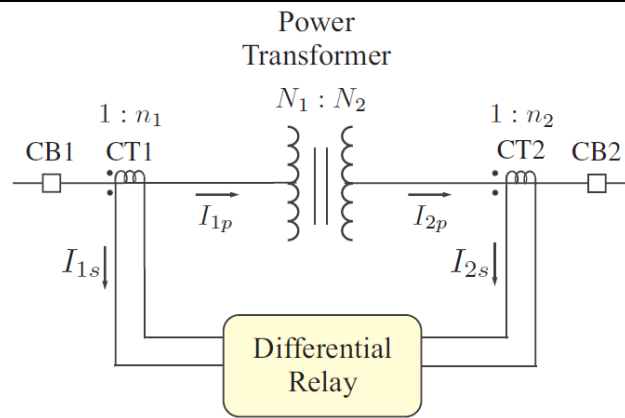
*Index Terms*—Artificial neural networks (ANNs), current transformer saturation, differential protection, power transformers.

## I INTRODUCTION

Power transformer is one of the most important device in electrical power systems, since its operation is associated to the continuity of the electrical energy supply by interconnecting networks with different voltage levels. Faults in transformers are considered the most severe disturbances in transmission networks [1]. Therefore, a quick and accurate diagnosis of faults is very important and vital for the electrical power system. Among the power transformer protection schemes, the differential function has been used in relay largely. Basically, this function compares the currents that flow through the terminals of the protected transformer, so that in the occurrence of an internal fault, the equipment must be disconnected from the electrical system [2]. However, a great disadvantage of this technique is associated to the relay misoperation during inrush currents in the transformer energization maneuver or external fault clearance situations, as well as the presence of the distorted currents due to the current transformer (CT) saturation. In order to face these limitations, new techniques and methods based on artificial intelligence and signal processing have been applied for discriminating internal faults from other power transformer disturbances accurately [3], [4], [5]. Among these algorithms, the wavelet transform is an efficient tool for analysis of non-stationary signals at different levels of time frequency, which makes it widely applicable in the detection of electrical power system disturbances [6] [7], with applicability to the power transformer differential protection [8]. On the other hand, the characteristic of learning makes the artificial neural networks (ANN) able to solve many problems of pattern classification, such as fault classification in transmission lines [9], [10], [11].

## II DIFFERENTIAL PROTECTION

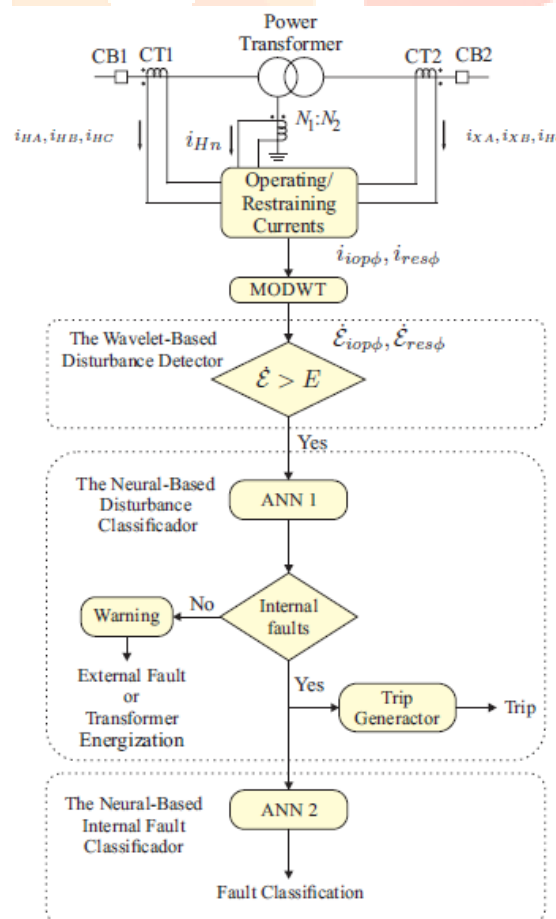
The differential protection relay compares the currents that flow through the power transformer windings. As an example, Fig. depicts a typical differential protection scheme for a single-phase two-winding power transformer, in which  $N1:N2$  corresponds to the ratios of the power transformer, and  $1 : n1$  and  $1 : n2$  correspond, respectively, to the ratios of the current transformers (CT1 and CT2). The CT ratios are usually selected to satisfy the condition  $N1n1 = N2n2$ .



According to Fig. 2, under normal operation conditions, the CT secondary currents  $I_{1s}$  and  $I_{2s}$  are approximately equal. However, when an internal fault occurs, this condition is no longer verified, and the difference between  $I_{1s}$  and  $I_{2s}$  becomes much large.

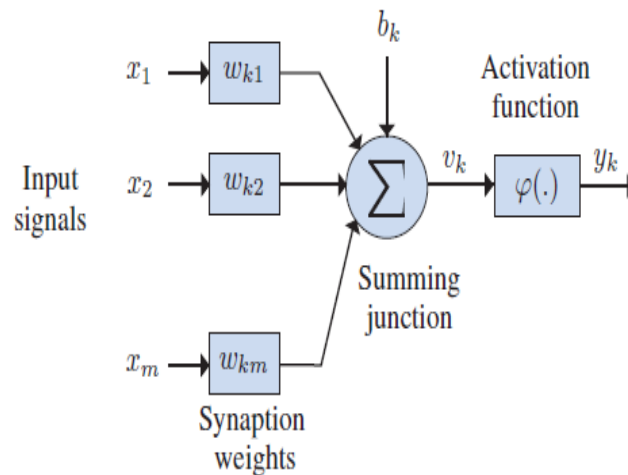
### III THE PROPOSED POWER TRANSFORMER DISTURBANCE CLASSIFICATION METHOD

This paper proposes the application of a neuro-wavelet power transformer disturbance classification scheme in order to discriminate different disturbances in power transformers appropriately, such as internal and external faults, and transformer energizations. The proposed power transformer disturbance classification algorithm. According, the pre-processing step of the algorithm is based on the computation, per sampling of the operating and restraining differential currents. The first step of the detection module is to get the voltage and current samples from the oscillographic record. The current samples are normalized before the discrete wavelet transform (DWT) is computed. The fault detection is carried out through the analysis of the current wavelet coefficient energy. In the case of no fault, no data are transferred. Otherwise, the samples related to the fault clearing time are identified by means of the analysis of the current wavelet coefficients. The classification module only analyzes the voltage and current samples related to the fault clearing time. First, these samples are normalized by the correspondent largest absolute value in the record.



## IV NEURAL NETWORKS

The neuron model used by the artificial neural network is based on the biological neuron design. It is a unit that receives many inputs, integrates them according to some rules, and provides an output that is given by a function of the integrated value. The model of a neuron is composed of three basic elements: a set of synapses, an adder, and an activation function. The objective of ANN training is to get minimum deviation between the targeted outputs and the actual outputs. The criteria function for sum square error is minimizing according to gradient rule. The effectiveness of ANN depends on the quality of training given. In ANN, for transformer protection problem, pattern reorganization based on waveform analysis method is used to train the network.



## V Literature

The differential protection used for transformers is based on the principle of current circulation. This type of protection is mostly used for transformers as this responds not only to inter turn fault but also provides protection. In a power transformer, the currents in primary and secondary are to be compared. As these two currents are usually different, therefore the use of identical transformers will give differential current and operate the relay even under no load conditions.[9]

Since Morlet first began to use wavelet analysis, it has been widely studied by many mathematicians, physicist, engineers, etc. today, its interest is spread out on not only theoretical but various applied fields, for example, speech or image signal processing, vibration analysis and so on. The wavelet analysis need not to use a single window function in all frequency components, or has linear resolution in the whole frequency domain that are weak points for Fourier analysis. There is enough reason that much interest concentrates on wavelet in time-frequency analysis [11].

The differential protection concepts are based on the assumption that during internal fault, the fundamental component of differential current becomes higher than no-load current. In this area several protection scheme have been developed to solve various difficulties (such as magnetizing inrush current) (6).

## CONCLUSION

The simulation results show that the protection system based on wavelet transform is suitable for relay protection for all types of fault. A simple decision making logic scheme using fuzzy logic ANN is presented for the developed technique for faults identification. The simulation waveforms will show that the ANN based relays are tripping properly during the faulty condition. The results will be presented show that the proposed technique needs very simple input signals.

**References**

- 1) J'essika Fonseca Fernandes, Fl'avio Bezerra Costa, and Rodrigo Prado de Medeiros "Power Transformer Disturbance Classification Based on the Wavelet Transform and Artificial Neural Networks" 2016 International Joint Conference on Neural Networks (IJCNN)
- 2) Ênio C. Segatto and Denis V. Coury, "A Differential Relay for Power Transformers Using Intelligent Tools" IEEE TRANSACTIONS ON POWER SYSTEMS, VOL. 21, NO. 3, AUGUST 2006
- 3) Mohammad Nayeem A Tahasildar & S. L. Shaikh "A Novel Technique for Power Transformer Protection based on Combined Wavelet Transform" ISSN (Print) : 2278-8948, Volume-2, Issue-4, 2013
- 4) F. B. Costa, K. M. Silva, B. A. Souza, and K. M. C. Dantas and N. S. D. Brito "A Method for Fault Classification in Transmission Lines Based on ANN and Wavelet Coefficients Energy" 2006 International Joint Conference on Neural Networks.
- 5) Iswadi HR, Redy Mardiana "Differential Power Transformer Protection Technique Using the Wavelet Packet Transform Approach" Proceedings of the International Conference on Electrical Engineering and Informatics June 17-19, 2007
- 6) M. O. Oliveira and A. S. Bretas "Application of Discrete Wavelet Transform for Differential Protection of Power Transformers" 2009 IEEE
- 7) R. P. Medeiros, F. B. Costa and K. M. Silva "Power Transformer Differential Protection Using the Boundary Discrete Wavelet Transform" 2015 IEEE.
- 8) T.Raja Pandi1, MKNM.Sakthi Nagaraj2, N.Panneer Selvam "The Analysis of Power Transformer from Differential Protection Using Back Propagation Neural Algorithm" International Journal of Innovative Research in Computer and Communication Engineering Vol.2, Special Issue 1, March 2014
- 9) S.Sudha and A. Ebenezer Jeyakumar "Wavelet and ANN Based Relaying for Power Transformer Protection" Journal of Computer Science 3 (6): 454-460, 2007
- 10) Okan Özgönenel "Wavelet based ANN Approach for Transformer Protection" International Journal of Electrical, Computer, Energetic, Electronic and Communication Engineering Vol:2, No:6, 2008

