



INTERNATIONAL JOURNAL OF CREATIVE RESEARCH THOUGHTS (IJCRT)

An International Open Access, Peer-reviewed, Refereed Journal

IOT BASED FIRE PREVENTING SYSTEM

p. sainadh

Department of Electronics and
Communication Engineering
Kalasalingam Academy of Research
and Education
Krishnankoil, India

P. chaithanya

Department of Electronics and
Communication Engineering
Kalasalingam Academy of Research
and Education

Dr.P.Siva Kumar

Department of Electronics and
Communication Engineering
Kalasalingam Academy of Research
and Education
Krishnankoil, India

R. jyothi prasad

Department of Electronics and
Communication Engineering
Kalasalingam Academy of Research and
Education
Krishnankoil, India

Abstract— It has been found during a survey that 80% losses caused thanks to fire would be kept faraway from if the hearth was identified promptly. ESP32 based IoT empowered fire indicator and observing framework is that the account this issue. during this task, we've assembled fire finder utilizing ESP32 which is interfaced with a temperature sensor, a smoke sensor and signal. The temperature sensor detects the heat and LDR sensor detects any light produced due to monitoring or fire. buzzer related to a ESP32 gives us an alert sign. a fireplace caution can likewise be activated due to little candlelight or oil lights utilized as a neighborhood of a family. Bell or alert is killed at whatever point the temperature goes to ordinary temperature an light level decreases. With the help of IoT innovation ESP32 fire checking serves for mechanical need and also for relatives reason.

Keywords: LDR sensor, ESP32 microcontroller, IoT, light

I. INTRODUCTION

In recent years, fire detection has become a really big issue, because it has caused severe damage including the loss of humanlives .Sometimes, these incidents are more destructive when the hearth spreads to the environment . *Early detection of a fireplace event is an efficient thanks to save lives and reduce property damage. to flee a fiery place and to douse the hearth source, the hearth must be detected at its initial stage. The installation of a fireplace place alarm is that the most convenient thanks to detect a fire early and avoidloses.Fire alarms contains different devices working together that have the power to detect fire and alert people through visual and audio appliances. *The alarm may contains bells, mountable sounders, or horns.Most of the hearth alarm systems use the technology of a wireless sensor network (WSN). WSNs have gained popularity because they need a spread of uses in several applications, like target tracking , localization , healthcare , Smart Transpiration , environmental monitoring, and industrial automation

II. PROPOSED SYSTEM

The devices are becoming a part of the mainstream of proposed systems which incorporates smart devices into the lives of people faster than ever.Growing need for realtime monitoring, tracking and automation coupled with favorable government initiatives has driven internet of things market in india.Growth in the market is anticipated on account of ongoing technological developments in internet of things technology for providing better connectivity and coverage as well as real-time monitoring and tracking services.Equipment used in the project are easily available in market with in a common man budget.The main components in the proposed paper sensors like LDR sensor, temperature, humidity sensor with proper range and quality checked, microcontroller which is ESP32 with Wi-Fi module inbuilt, Actuators like buzzer and softwares and technical support

members like data management devices through cloud, servers and display LED.

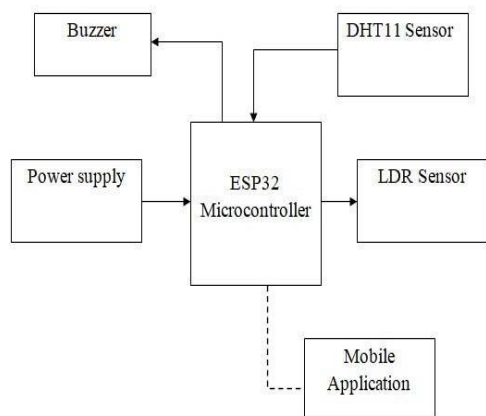


Fig.1. Block Diagram of Proposed work

The block diagram of the entire system is shown in the above figure. This block diagram clearly explains about the Fire preventing system. In this system a DHT11 humidity sensor is used. As we all know that Sensor is used to read the temperature in the unit. In this system the Sensor is connected to Node MCU Microcontroller. A controlled and sustainable environment which is suitable for a region able to maintain perfect temperature in environment, using to

Node MCU Microcontroller. The Node MCU Microcontroller which one is used for programming which controls and manages the overall process of the unit of system. Sensors is used to read the temperature in the closed form which is connected to to Node MCU Microcontroller. A display is used which is useful for seeing the process continuously for the temperature value and Humidity value required for maintaining correct level temperature in environment. Light dependent resistors, LDRs or photoresistors are often used in electronic circuit designs where it is necessary to detect the presence or the level of light. A buzzer or beeper is an audio device, which can be mechanical, electromechanical, or piezoelectric employing a suitably designed resonant system, this sort are often used where large sound volumes are needed.

III.HARDWARE COMPONENTS:

Sensor or device is collect all the relative humidity in the air and sends the report to the IOT data storage. Relative humidity is a measure the difference between the air and moisture temperature. It helps to identify the weather condition and decision to take when the rain is present or not. It is also used in vehicles, HVAC systems and metrological systems. In this project we use power supply input regarding the components we prefer or use in this project. Everyone know that we will be having different power supply for every particular components so we will be using +5v for the powering other components in the project we use. We know that power supply plays major role and it is the

source of the project. We should not exceed the power supply input for project which is not needed if the power supply is more than we require then it we cause a blast to circuit connect, so we will be using some alternative for limiting the power supply for the project. Light dependent resistors, LDRs or photoresistors are often used in electronic circuit designs where it is necessary to detect the presence or the level of light. These electronic components can be described by a variety of names from light dependent resistor, LDR, photoresistor, or even photo cell, photocell or photoconductor. Although other electronic components such as photodiodes or photo-transistor can also be used, LDRs or photo-resistors are a particularly convenient to use in many electronic circuit designs.

.The ESP32 may be a powerful 32 bit microcontroller with integrated Wi-Fi, full TCP/IP stack for internet connection and Bluetooth 4.2. thanks to the low cost combined with world power and therefore the opportunity to attach the ESP32 to several other electronic devices, the microcontroller is compatible for IoT projects. ESP32 may be a series of low-cost, low-power system on a chip microcontrollers with integrated Wi-Fi and dual mode Bluetooth. The ESP32 chip contains 520KB of RAM. While it's sufficient for most projects, others may need more memory. To increase the capacity of the microcontroller, the manufacturer can add a memory chip to the board. A buzzer or beeper is an audio device, which can be mechanical, electromechanical, or piezoelectric employing a suitably designed resonant system, this sort are often used where large sound volumes are needed. At Future Electronics we stock many of the foremost common types categorized by Type, Sound Level, Frequency, Rated Voltage, Dimension and Packaging Type. Connections to be done in respective manner as it mentioned below: In the respectively. Analog pin A1 is connected to signal pin in turbidity sensor, Analog pin A2 is connected to signal pin in PH sensor, Analog pin A3 is connected to signal pin in ORP sensor and for each sensor we need to connect to the ground pin to the GND in Arduino board. Similarly, Vin need to be.

IV. RESULTS AND DISCUSSION

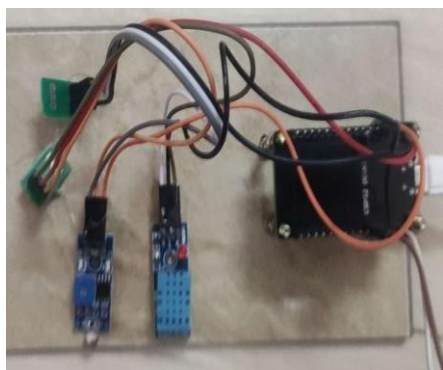


Figure-2

Employing Sensors serving as Data acquisition Centre Temperature sensor and smoke sensor are utilized that ought to be set at specific separations with the goal that a glance are often kept on the entire forest territory keeping in mind the top goal to differentiate the beginning disturbing temperature and therefore the level of sunshine sensor. These sensors will send the flag or the info to the

microcontroller. These will all detect changes within the earth and respond naturally just in case of a crisis. New advancements in programmed starting gadgets utilize IoT and PC calculations to look at obvious impacts of flame and development in ways in which other discovery gadgets can.,t. Number of terminate sensors are to be utilized in handy circumstance that are should are set at specific separations with the goal that a glance are often kept on the entire forest region. Gathering of data by the IC installed within the arduino of the Transmitter circuit :- The IC Nodemcu (microcontroller) inserted in arduino stage display within the transmitter circuit get the knowledge detected and gathered by the temperature sensor and ldr sensor. At that time , the controller plays out the customized activity thereto and pass them to the transmitter for transmitting the knowledge to the accepting station

V. CONCLUSION:

The essential target of the proposed work was to plan a keen examination of keen home for fire prevention. Two significant imperfections of the presently utilized frameworks are: (a) the fireside anticipation frameworks generally utilize a solitary sensor for occasion identification yet issues emerge if the target sensor doesn't detect the event,(b) bogus cautions are often generated. Overall our proposed strategy gives a answer for these problems. We acquainted a proficient method with beat these problems. We utilized multi-

sensors for each area in brilliant homes. To diminish the bogus alarms, we utilized the virtual GSM correspondence system. the rationale for virtual GSM correspondence was to alarm the client at the extremely starting season.

REFERENCES

- [1] Li,W.;Zhang,W.sensor selection for improving accuracy of target localisation in wireless visual sensor networks.IET Wirel.Sens.Syst.2012,2,293-301.
- [2] Pagano,S.;Peirani,S.;Valle,M.indoor ranging and localisation algorithm based on received signal strength indicator using statistic parameters for wireless sensor networks.IET Wirel.Sens.Syst.2015,5,243-249.
- [3]Rathore,M.M.;Ahmad,A.;Paul,A.;Wan,J.;Zhang,D.Real,D. Real-time response system:Exploiting Iot and big data for public health.J.Med.Syst.2016,40,283
- [4]Rathore,M.M.;Paul,A.;Ahmad,A.;Anisetti,M.;Jeon,G.Hadoo p-based intelligent care system.analytical approach for big data in Iot.ACM trans.int.technol.2017,18,8
- [5] Blake,D.Aircraft cargo compartment smoke detector Alarm incidents on us-registered aircraft,1974-1999;aviation administration: Washington,DC,USA,2000;
- [6]Silva,B.;Fisher,R.M.;Kumar,Hancle,G.p.experimental link quality characterization of wireless sensors network monitoring.IEEE Trans.Ind.Inform.2015,11,1099-1110. [1] cooperative Extension Service AEN-17, p 2-3

