

# REVIEW AND OPERATION OF IPFC DEVICE FOR POWER FLOW CONTROL IN POWER SYSTEM

Nikul Bhatesara<sup>1</sup>,

Maulik Pandya<sup>2</sup>

<sup>1</sup>PG Scholar, Electrical Department, LDRP-ITR, Gandhinagar, Gujarat, India

<sup>2</sup>Assisatnt Professor, Electrical Department, LDRP-ITR, Gandhinagar, Gujarat, India

## Abstract

This paper presents a power flow management in interline (IPFC), capable of simultaneous compensation for voltage and current in multi-bus/multi-feeder systems. In this configuration, one shunt voltage-source converter (shunt VSC) and two or more series VSCs exist. The system can be applied to adjacent feeders to compensate for supply-voltage and load current imperfections on the main feeder and full compensation of supply voltage imperfections on the other feeders. In the proposed configuration, all converters are connected back to back on the dc side and share a common dc-link capacitor. Therefore, power can be transferred from one feeder to adjacent feeders to compensate for sag/swell and interruption. The proposed topology can be used for simultaneous compensation of voltage and current imperfections in both feeders by sharing power compensation capabilities between two adjacent feeders which are not connected. The system is also capable of compensating for interruptions without the need for a battery storage system and consequently without storage capacity limitations. The performance of the IPFC as well as the adopted control algorithm is illustrated by simulation.

## INTRODUCTION

With increasing applications of nonlinear and electronically switched devices in distribution systems and industries, power-quality (PQ) problems, such as harmonics, flicker, and imbalance have become serious concerns. In addition, lightning strikes on transmission lines, switching of capacitor banks, and various network faults can also cause PQ problems, such as transients, voltage sag/swell, and interruption. On the other hand, an increase of sensitive loads involving digital electronics and complex process controllers requires a pure sinusoidal supply voltage for proper load operation. To meet PQ standard limits, it may be necessary to include some sort of compensation. Modern solutions can be found in the form of active rectification or active filtering.

If there are supply voltage imperfections, a series active power filter may be needed to provide full compensation. In recent years, solutions based on flexible ac transmission systems (FACTS) have appeared. The application of FACTS concepts in distribution systems has resulted in a new generation of compensating devices. It consists of combined series and shunt converters for simultaneous compensation of voltage and current imperfections in a supply feeder. Recently, multi converter FACTS devices, such as an interline power-flow controller (IPFC) and the generalized unified power-

flow controller (GUPFC) are introduced. The aim of these devices is to control the power flow of multi lines or a sub network rather than control the power flow of a single line by, for instance, a UPFC. When the power flows of two lines starting in one substation need to be controlled, an interline power flow controller (IPFC) can be used.

An IPFC consists of two series VSCs whose dc capacitors are coupled. This allows active power to circulate between the VSCs. With this configuration, two lines can be controlled simultaneously to optimize the network utilization. The GUPFC combines three or more shunt and series converters. It extends the concept of voltage and power-flow control beyond what is achievable with the known two-converter UPFC.

In this paper a power flow management in interline (IPFC), capable of simultaneous compensation for voltage and current in multi-bus/multi-feeder systems is presented. The system is extended by adding a series-VSC in an adjacent feeder. The proposed topology can be used for simultaneous compensation of voltage and current imperfections in both feeders by sharing power compensation capabilities between two adjacent feeders which are not connected. The system is also capable of compensating for interruptions without the need for a battery storage system and consequently without storage capacity limitations.

### **IPFC**

The interline power flow controller (IPFC) is one of the latest FACTS controller used to control power flows of multiple transmission lines. Interline Power Flow Controller (IPFC) is an extension of static synchronous series compensator (SSSC). Any converters within the IPFC can transfer real power to any other and hence real power transfer among the lines may be carried out, together with independently controllable reactive series compensation of each individual line. IPFC employs several VSCs linked at the same DC terminal, each of which can provide series compensation for its own line. In this way, the power optimization of the overall system can be realized in the form of appropriate power transfer through the common DC link from overloaded lines to under-loaded lines. The power flow control design for IPFC is proposed and transfer functions are analyzed in this thesis. In its general form the interline power flow controller employs number of DC to AC inverters each providing series compensation for a different line as shown in Fig.

IPFC is designed as a power flow controller with two or more independently controllable static synchronous series compensators (SSSC) who are solid state voltage source converters injecting an almost sinusoidal voltage at variable magnitude and are linked via a common DC capacitor. SSSC is employed to increase the transferable active power on a given line and to balance the loading of a transmission network. In addition, active power can be exchanged through these series converters via the common DC link in IPFC. It is noted that the sum of the active powers outputted from VSCs to transmission lines should be zero when the losses of the converter circuits can be ignored. A combination of the series connected VSC can inject a voltage with controllable magnitude and phase angle at the fundamental frequency while DC link voltage can be maintained at a desired level. The common DC link is represented by a bidirectional link for active power exchange between voltage sources.

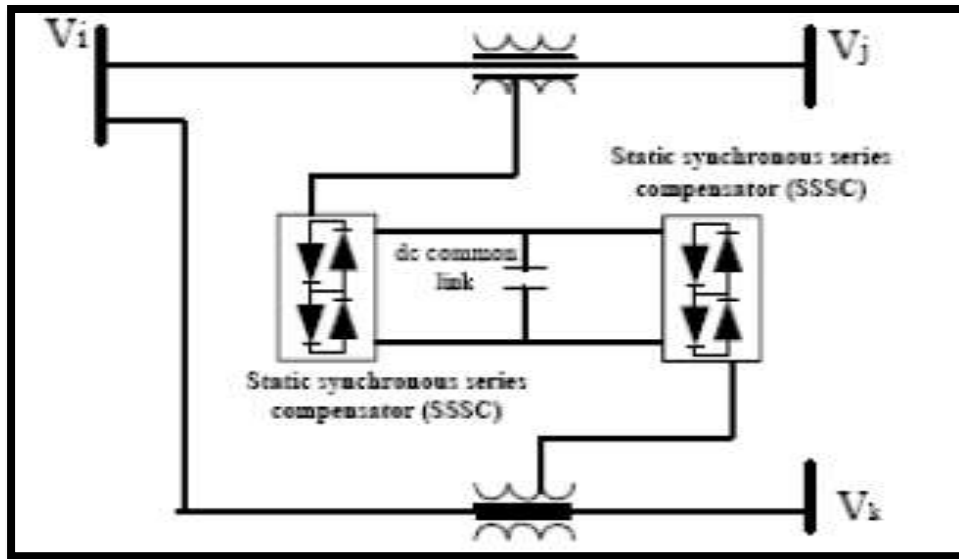


Fig Schematic representation of IPFC

**Generalized Interline Power Flow Controller**

There can be compensation requirements for multi-line transmission systems which would not be compatible with the basic constraint of the IPFC, stipulating that the sum of real power exchanged with all the lines must be zero. This constraint can be circumvented by a generalized IPFC arrangement, in which a shunt connected inverter, is added to the number of inverters providing series compensation as illustrated in fig.

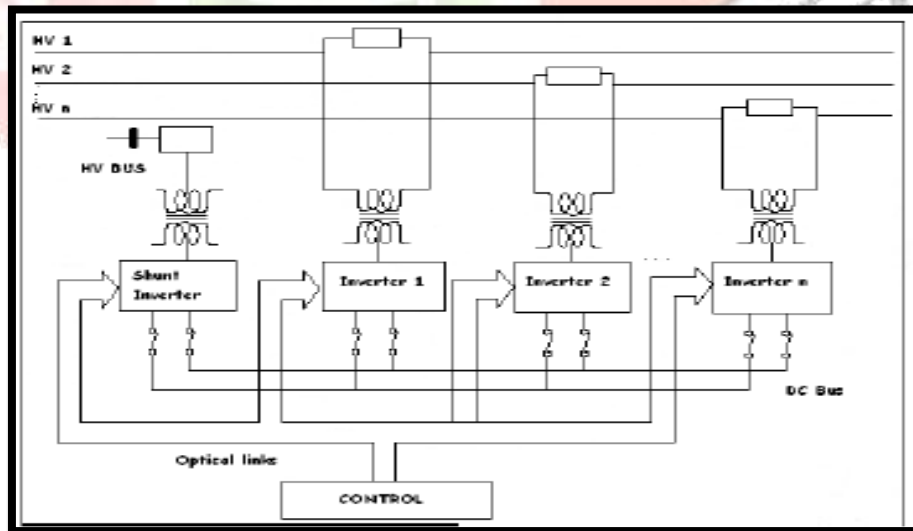


Fig-A Generalized Interline Power Flow Controller for Power Transmission Management

With this scheme the net power difference at the ac terminal is supplied or absorbed by the shunt inverter, and ultimately exchanged with the ac system at the shunt bus. This arrangement can be economically attractive, because the shunt

inverter must be rated only for the maximum real power difference anticipated for the whole system. It can also facilitate relatively inexpensive shunt reactive compensation, if this is needed at the substation bus.

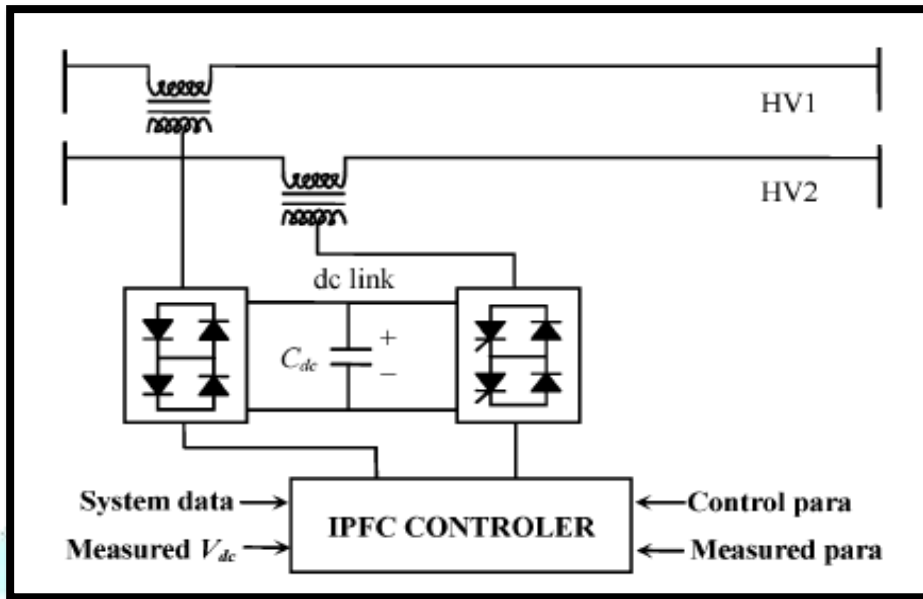


Fig Schematic diagram of two-converter IPFC

## MODELLING AND SIMULATION

### Three Phase System with IPFC Device

The voltage source converter topology is provided for power flow management in IPFC. There are two voltage source converters provided at input side of IPFC and one VSC is provided at output side.

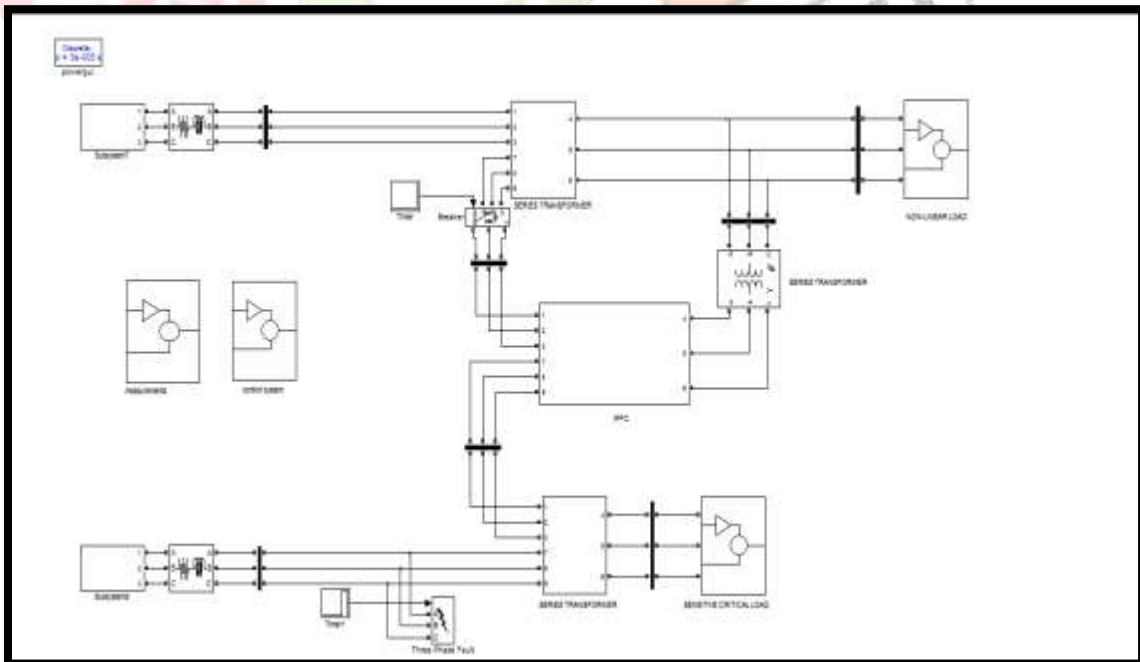


Fig Three phase system connected with IPFC device

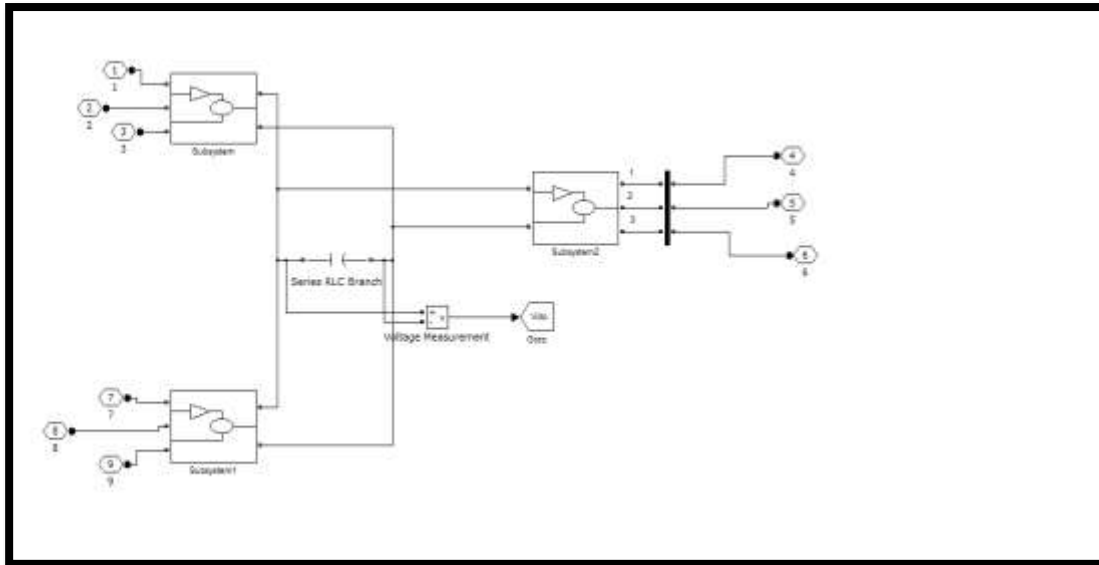


Fig IPFC device subsystem

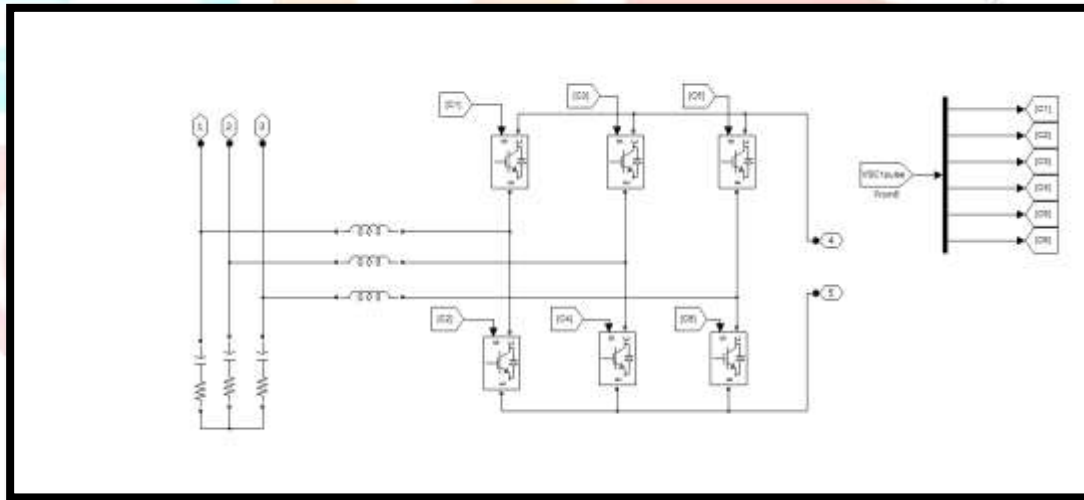


Fig VSC configuration in IPFC

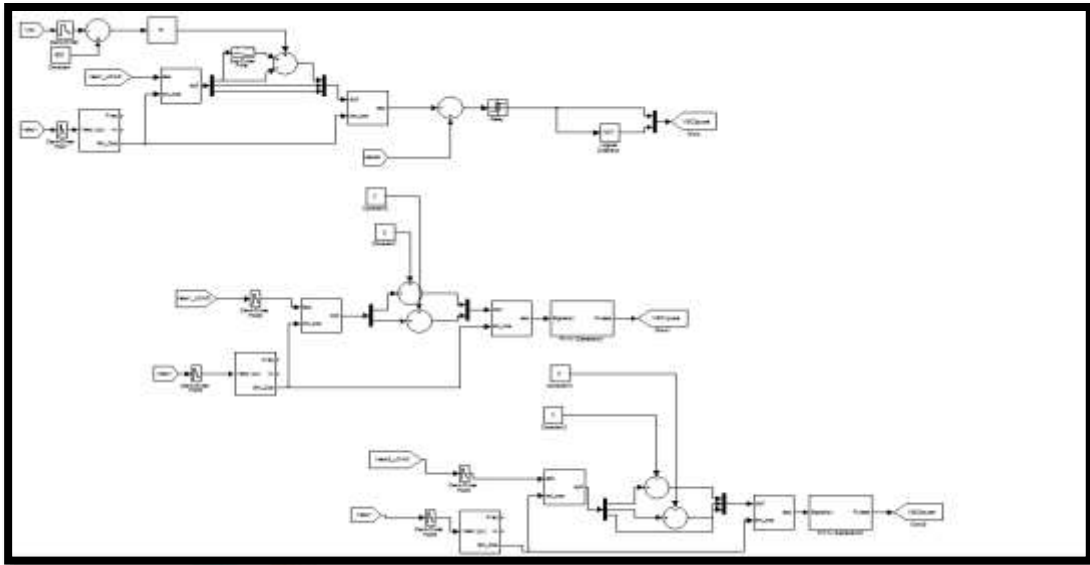


Fig control circuit for IPFC device

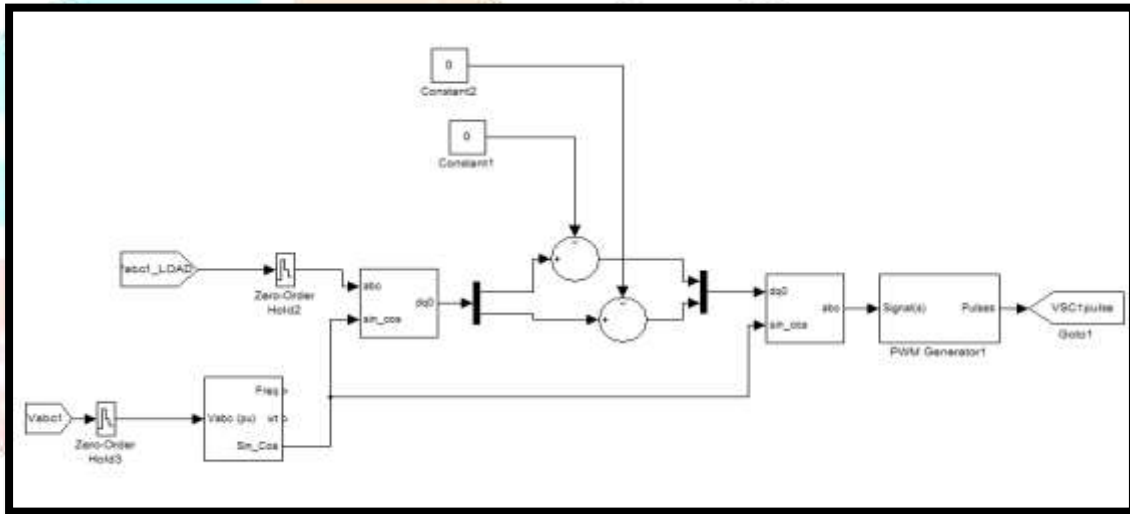


Fig Input side VSC control circuit

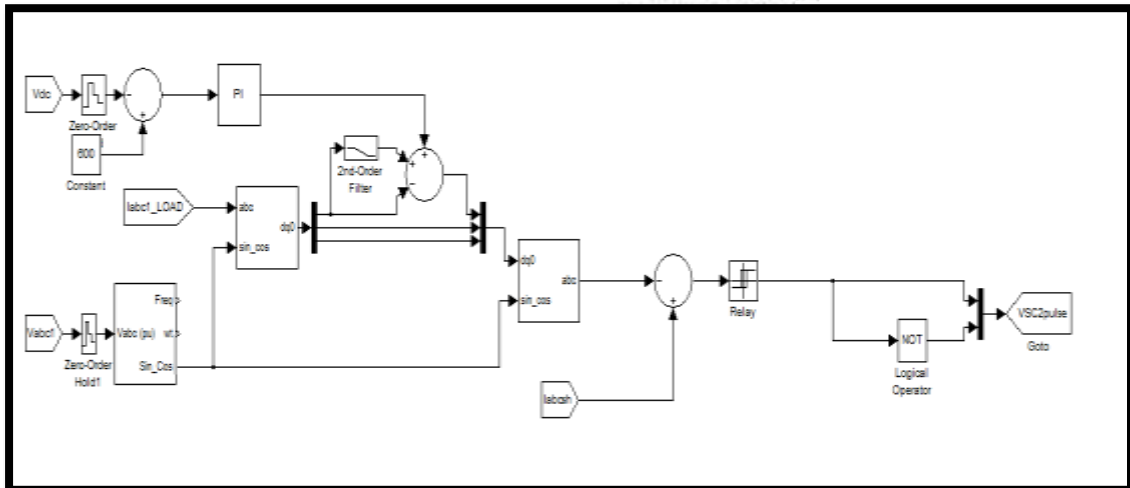


Fig Load side VSC control Circuit in IPFC

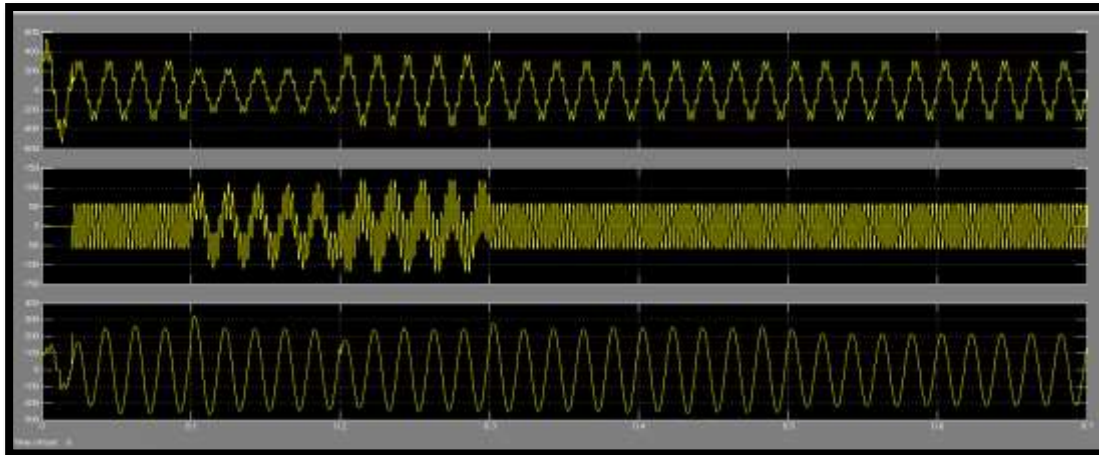


Fig (a)  $V_{abc}$  at input side (b)  $V_{abc}$  between series transformer and IPFC (c)  $V_{abc}$  at load side for bus-1

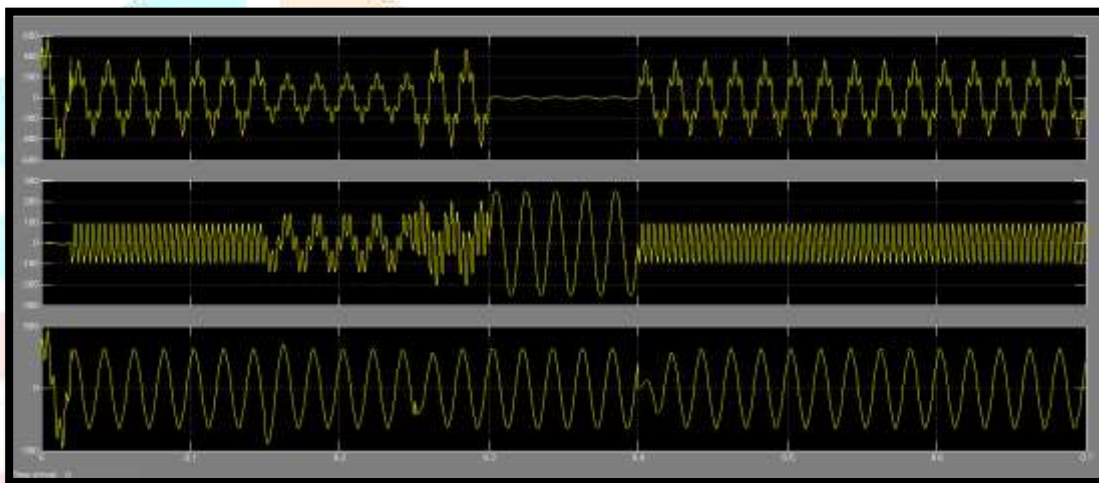


Fig (a)  $V_{abc}$  at input side (b)  $V_{abc}$  between series transformer and IPFC (c)  $V_{abc}$  at load side for bus-2

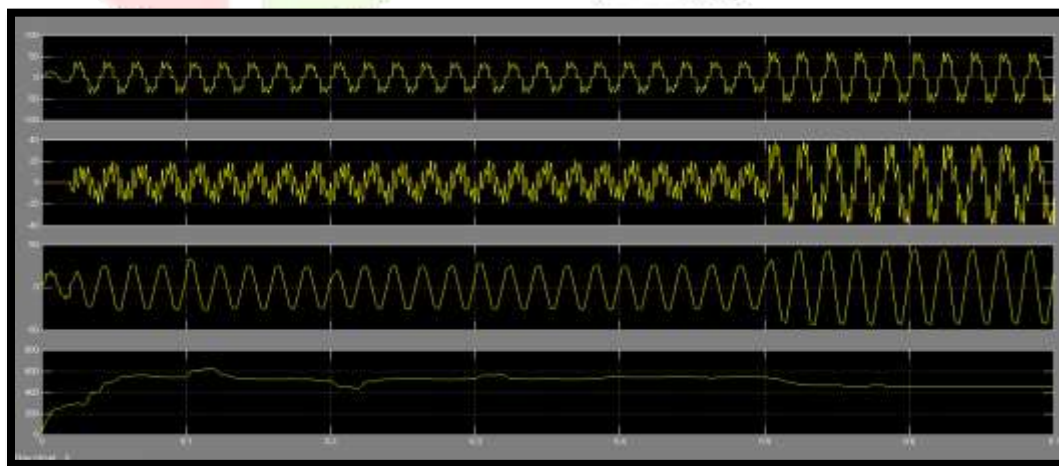


Fig (a)  $i_{abc}$  at input side (b)  $i_{abc}$  between series transformer and IPFC (c)  $i_{abc}$  at load side for bus-1 (d) D.C voltage at Common link D.C Capacitor

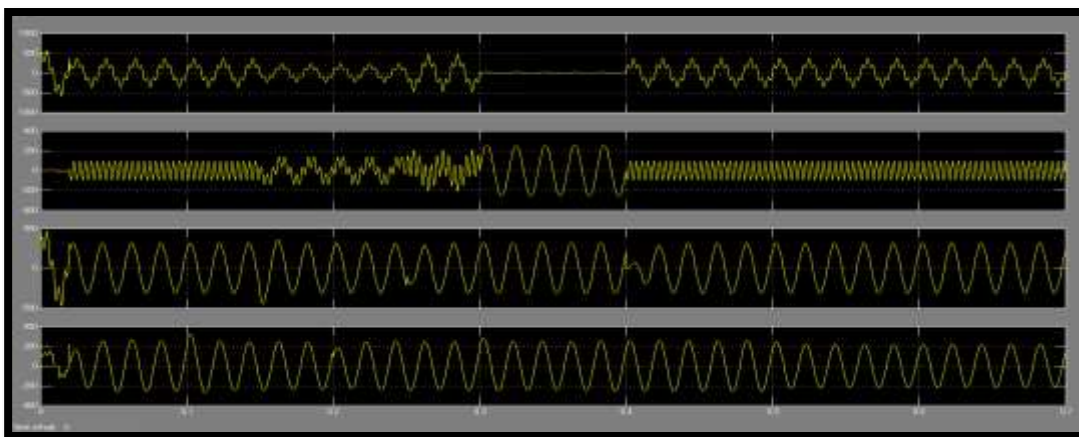


Fig (a)  $V_{abc}$  at input side (b)  $V_{abc}$  between series transformer and IPFC (c)  $V_{abc}$  at load side for bus-2 (d)  $V_{abc}$  at load side for bus-1

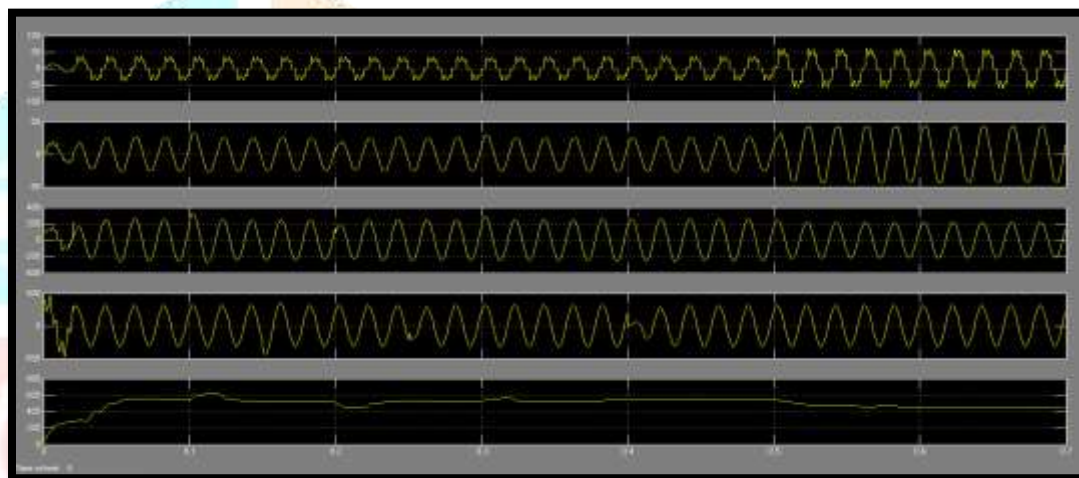


Fig load current values for bus-1 and bus-2 and D.C voltage at Common link D.C Capacitor

### **IPFC in Closed Loop**

The MATLAB Simulink circuit model of the IPFC connected in closed loop is shown in figure 5.18. Scopes are connected to the primary load and secondary load. Real and reactive powers in the loads are measured. Voltages across primary load and secondary load are sensed and compared.



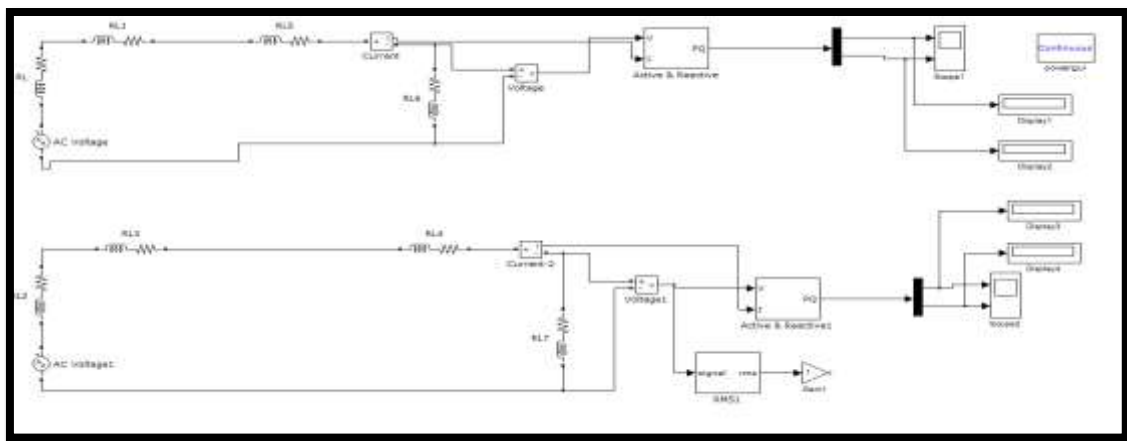


Fig MATLAB Simulation Model of Primary and Secondary Lines without IPFC

### IPFC Subsystem

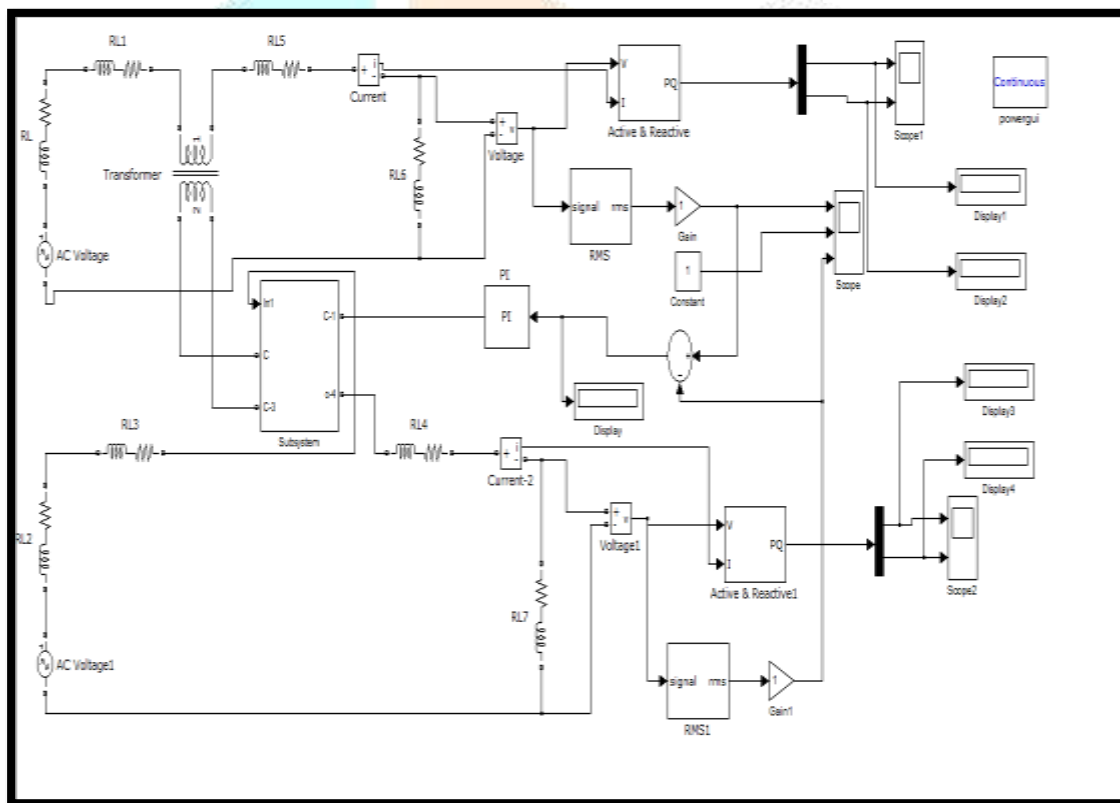


Fig Matlab Circuit Model of Closed Loop IPFC System

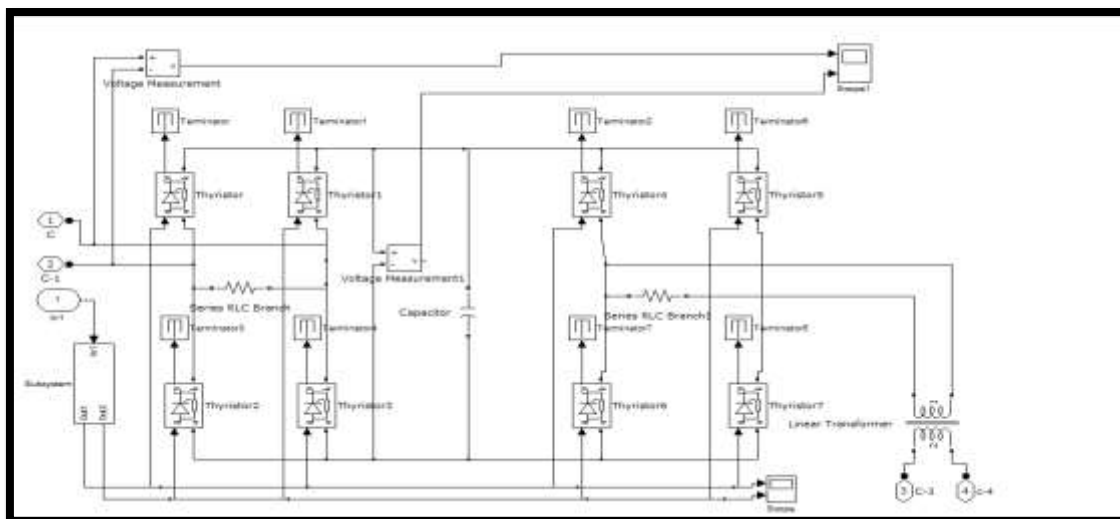


Fig-IPFC Subsystem

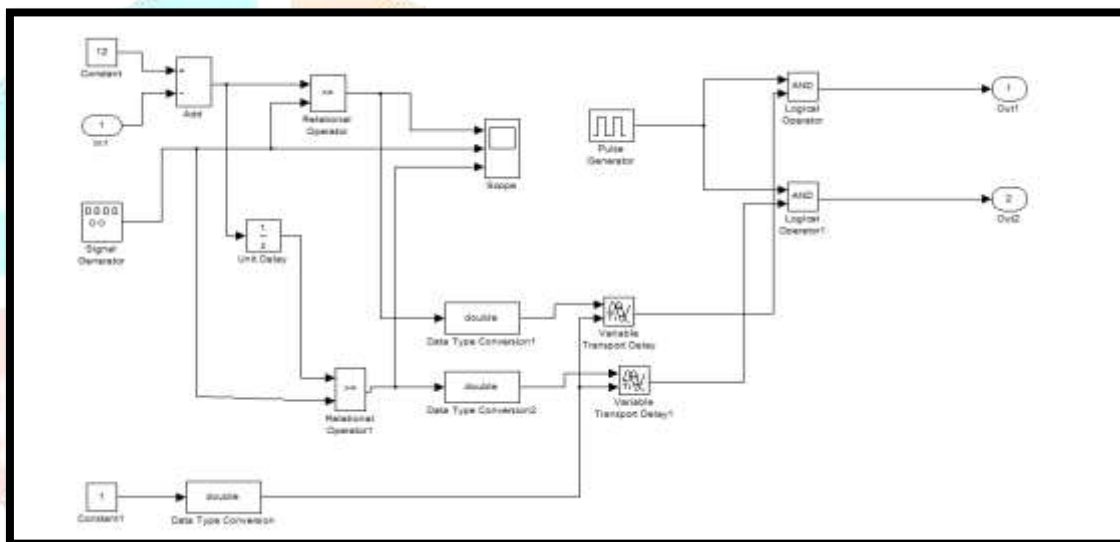


Fig Matlab Circuit model for Pulse Generation Module

Lines without IPFC	Primary Load		Secondary Load	
	Active Power (MW)	Reactive Power (MVAR)	Active Power (MW)	Reactive Power (MVAR)
	8.767	6.589	9.417	7.1

Table Real and reactive powers of primary and secondary Circuits without IPFC

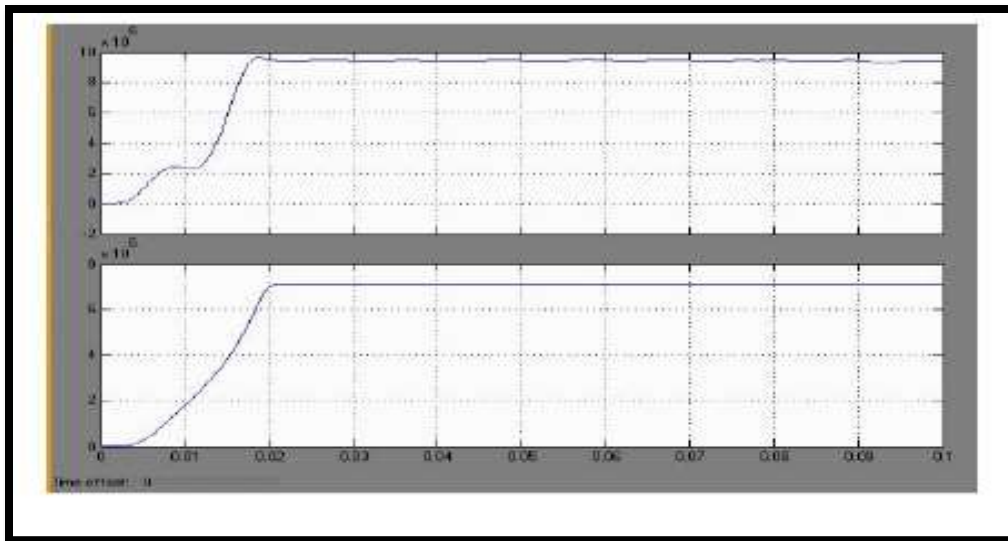


Fig Active and Reactive Power in Secondary Load without IPFC

Condition	Primary Load		Secondary Load	
	Active Power (MW)	Reactive Power (MVAR)	Active Power (MW)	Reactive Power (MVAR)
Lines without IPFC	8.780	6.570	9.464	7.088
Lines with Individual SSSC	8.781	6.578	9.467	7.092
Lines with IPFC	<b>8.813</b>	<b>6.601</b>	<b>9.492</b>	<b>7.110</b>

Table active and reactive powers with IPFC

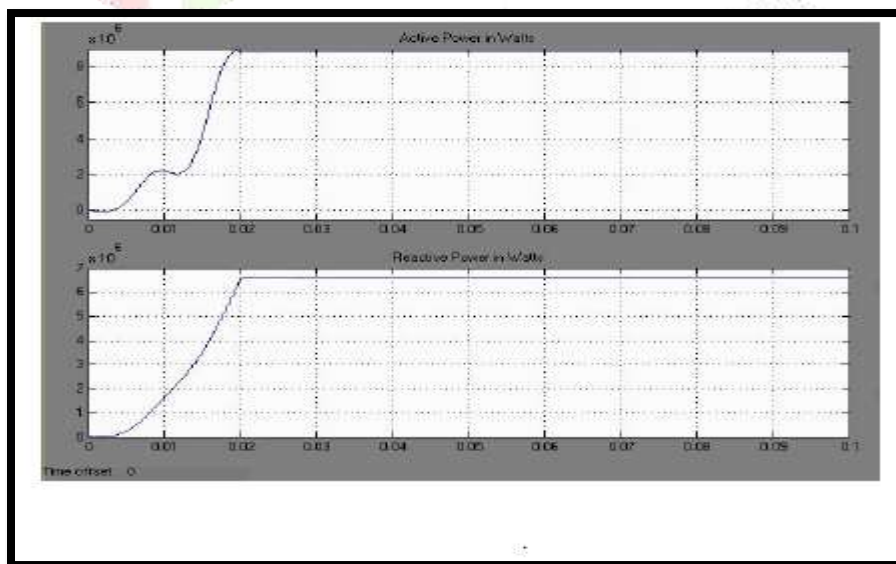


Fig Active and Reactive Power of Primary Load with IPFC in Closed Loop

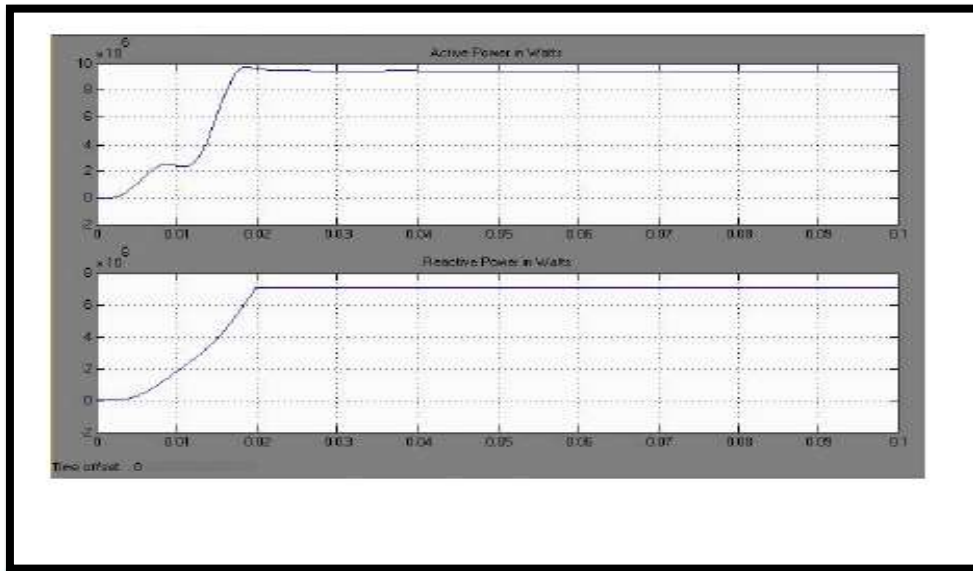


Fig Active and Reactive Power of Secondary Load with IPFC in Closed Loop

### Matlab Simulation of IPFC with MMC (Modular Multi-level converter)

In this section there is one three phase source has related to three phase A.C load and Non-Linear D.C load to show the voltage and current variations for power quality issues at 4-bus which has been shown in the simulation results. The simulation results show the fluctuations in the voltage and current waveforms at different bus. For mitigating that problems and improve the power quality we connect the IPFC in interline between two transmission line.

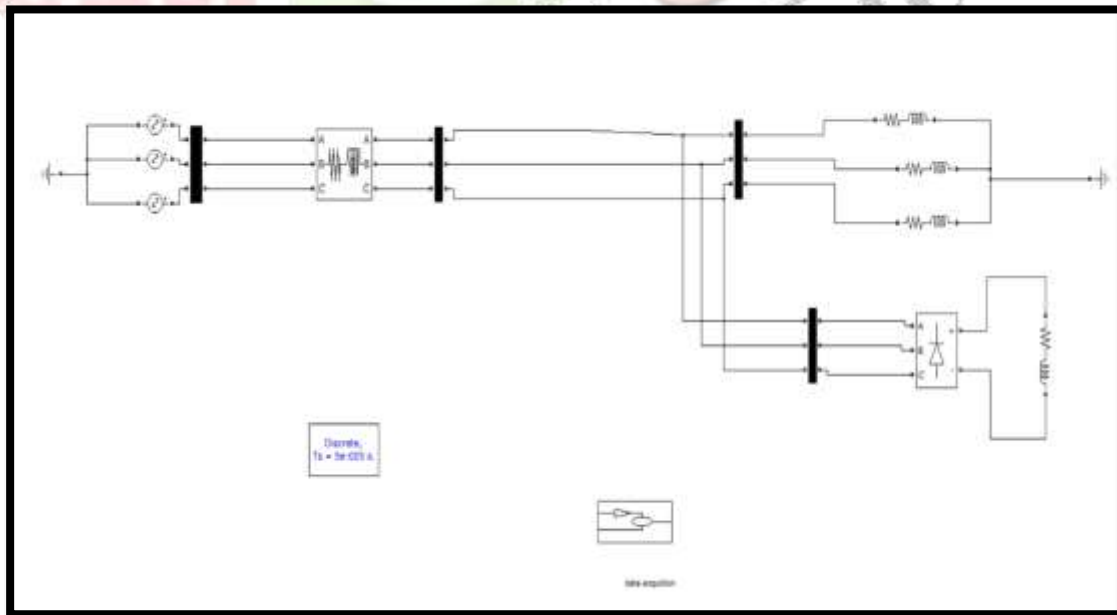


Fig Proposed System without IPFC

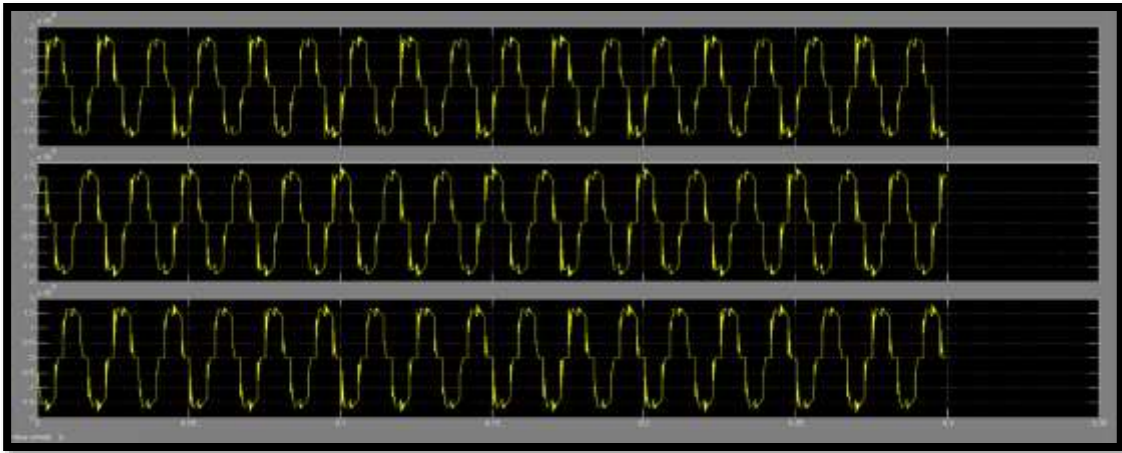


Fig Voltage at B-21

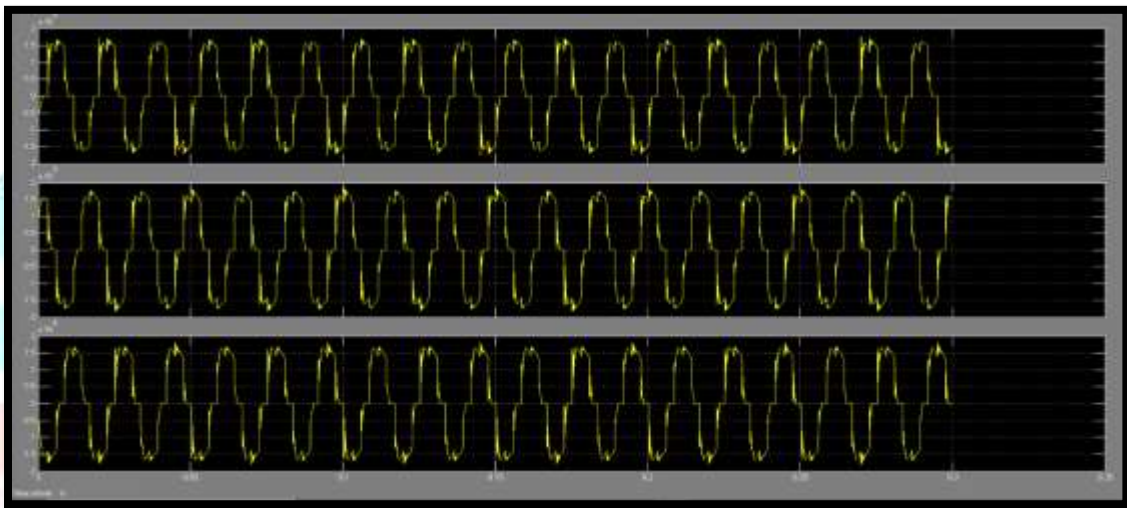


Fig Voltage at B-31

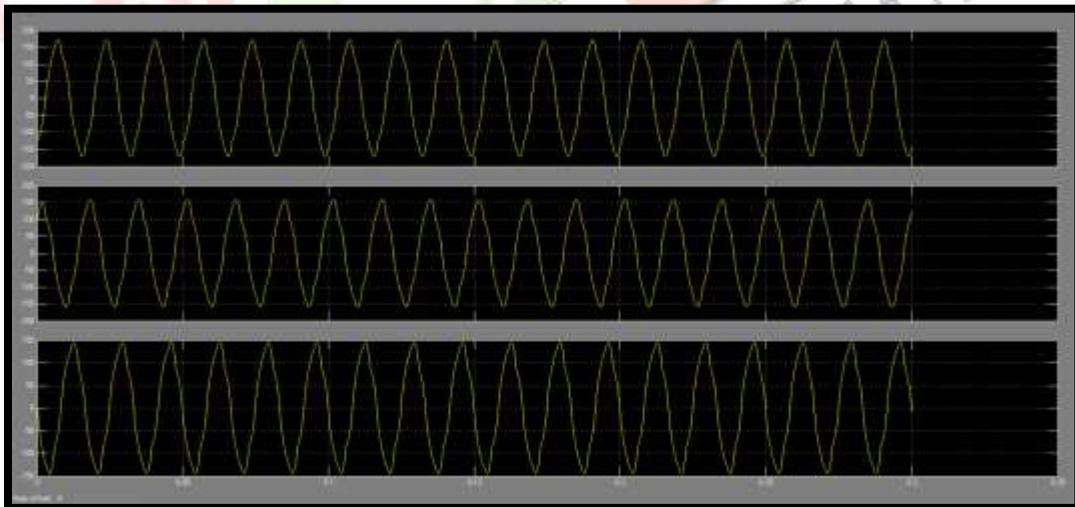


Fig 5.24- Current at B-21

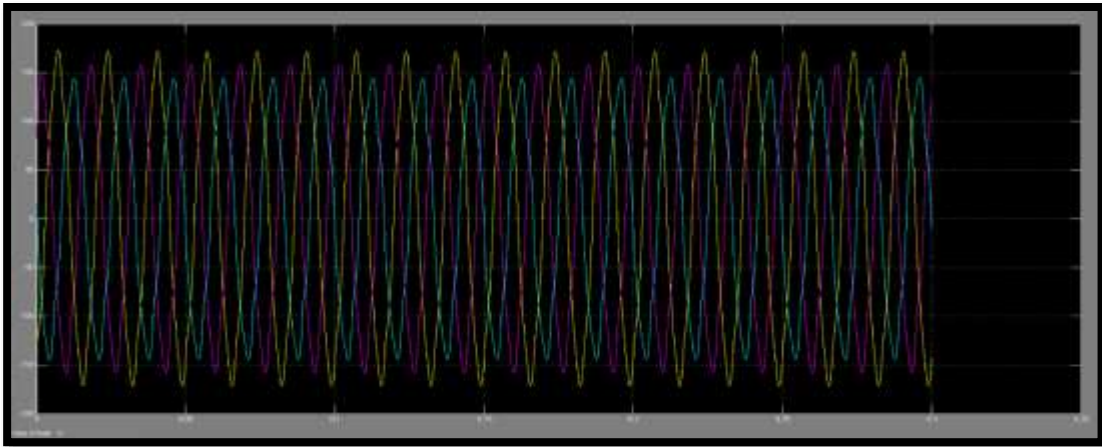


Fig Current at B-21

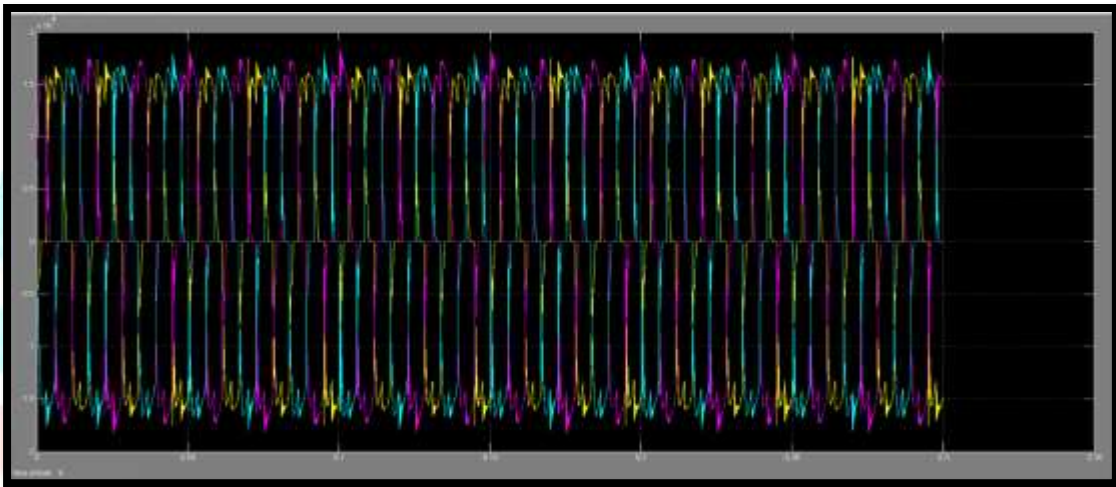


Fig Voltage Fluctuation at B-31

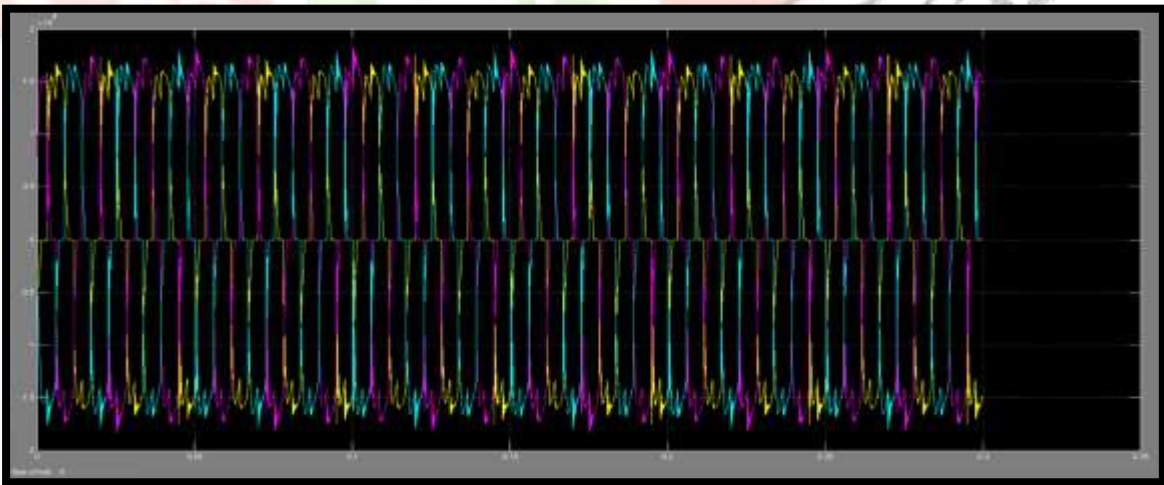


Fig Voltage Fluctuation at B-21

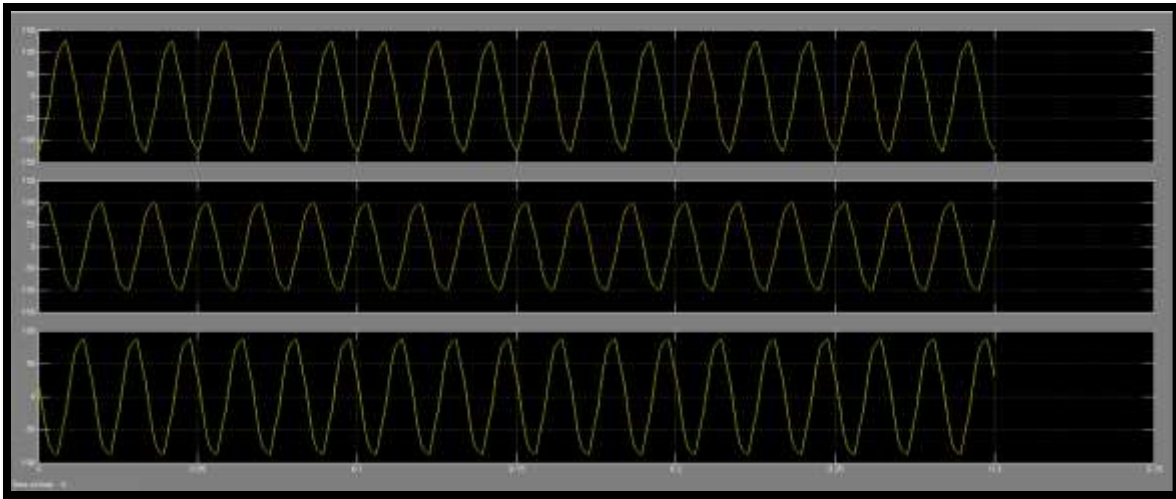


Fig Current at B-31

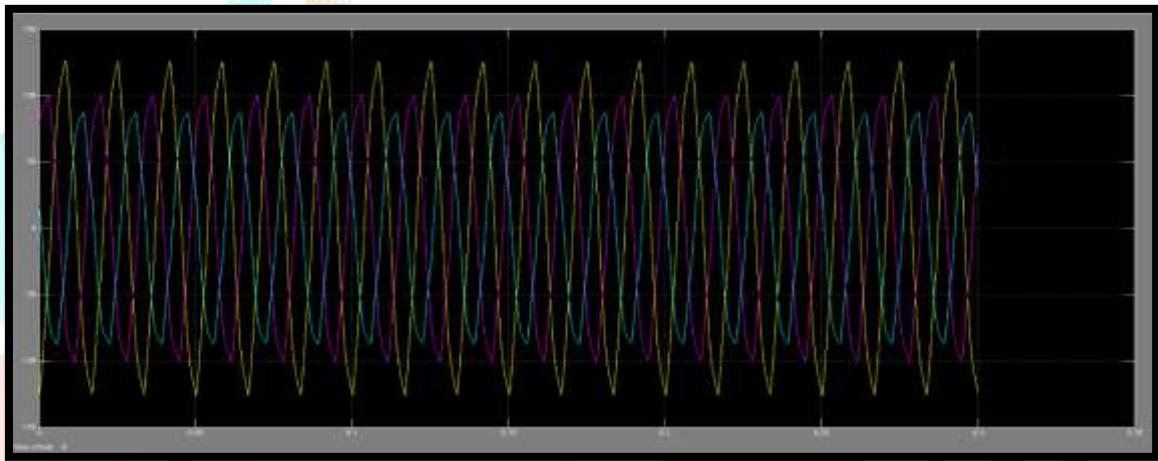


Fig Current Fluctuation at B-31

### **IPFC integrated with Proposed System**

Now in this section the Multilevel converter based IPFC device has been connected interline between two transmission line. The series and shunt converter has been connected between two lines through common d.c. link capacitor. While with the series converter there are three individual capacitors has been integrated for energy bypass or mitigate each phase balancing problems.

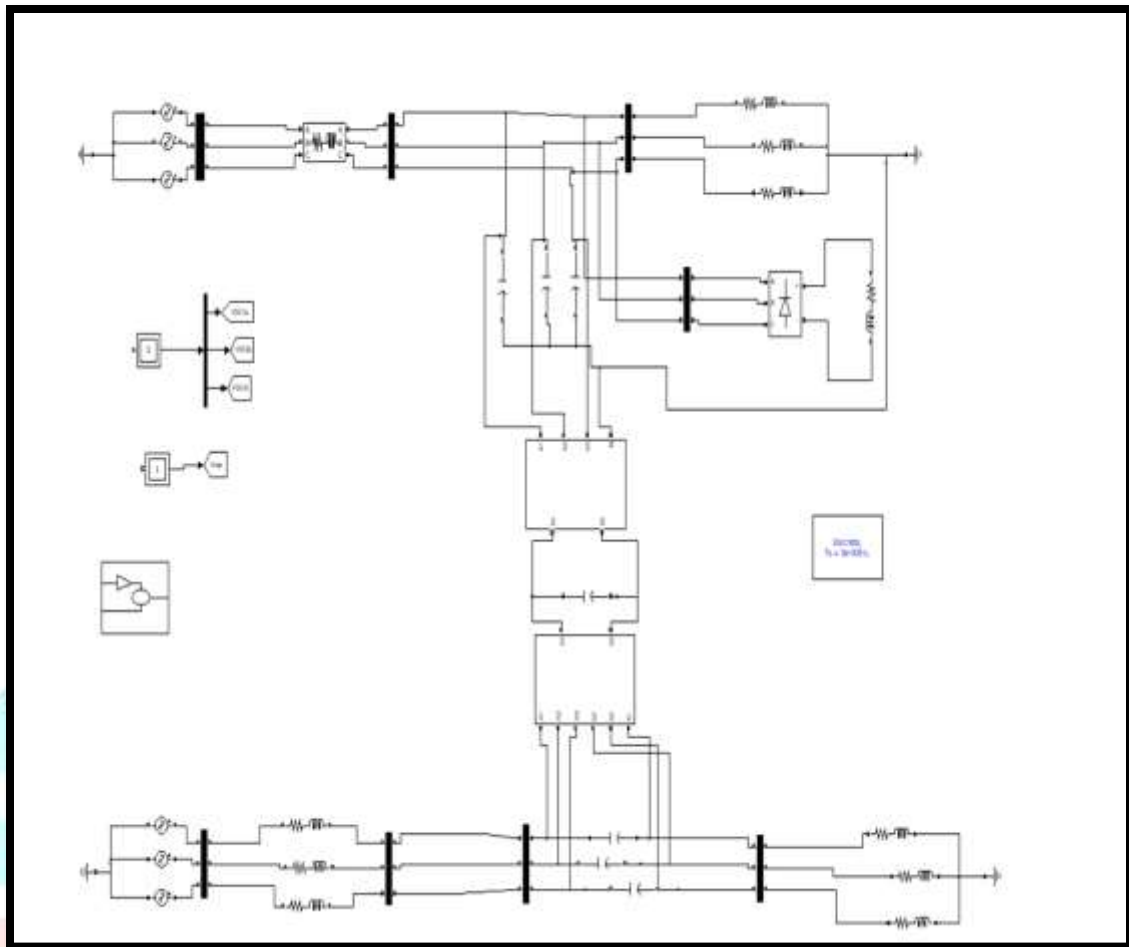


Fig Proposed System with MMC based IPFC System

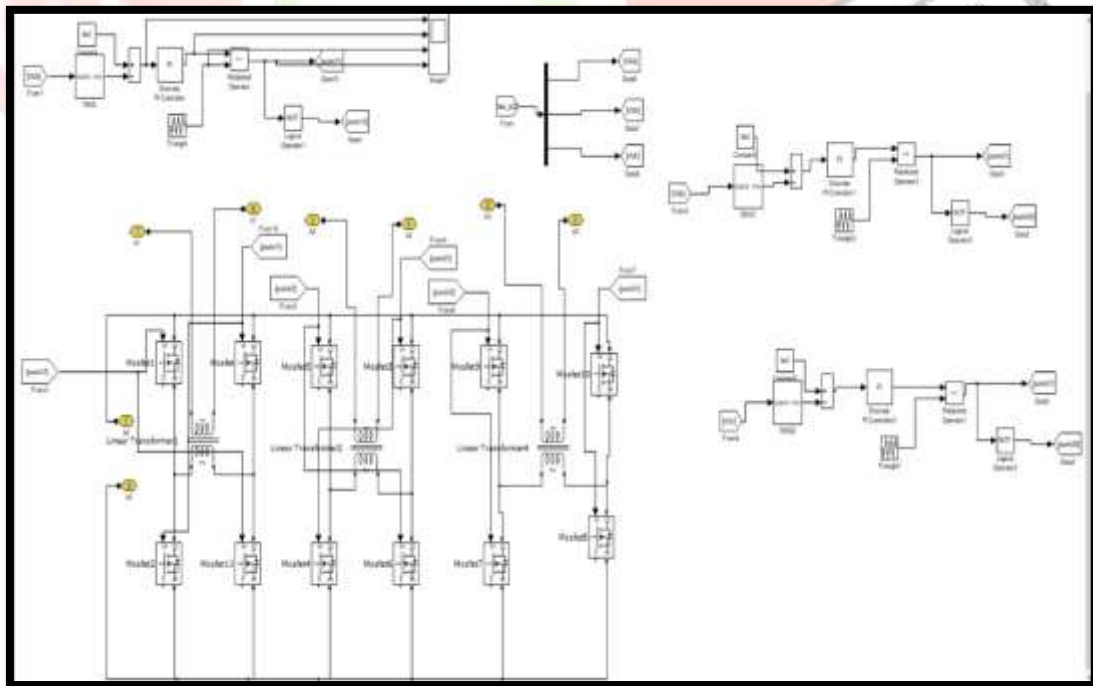


Fig Series control subsystem



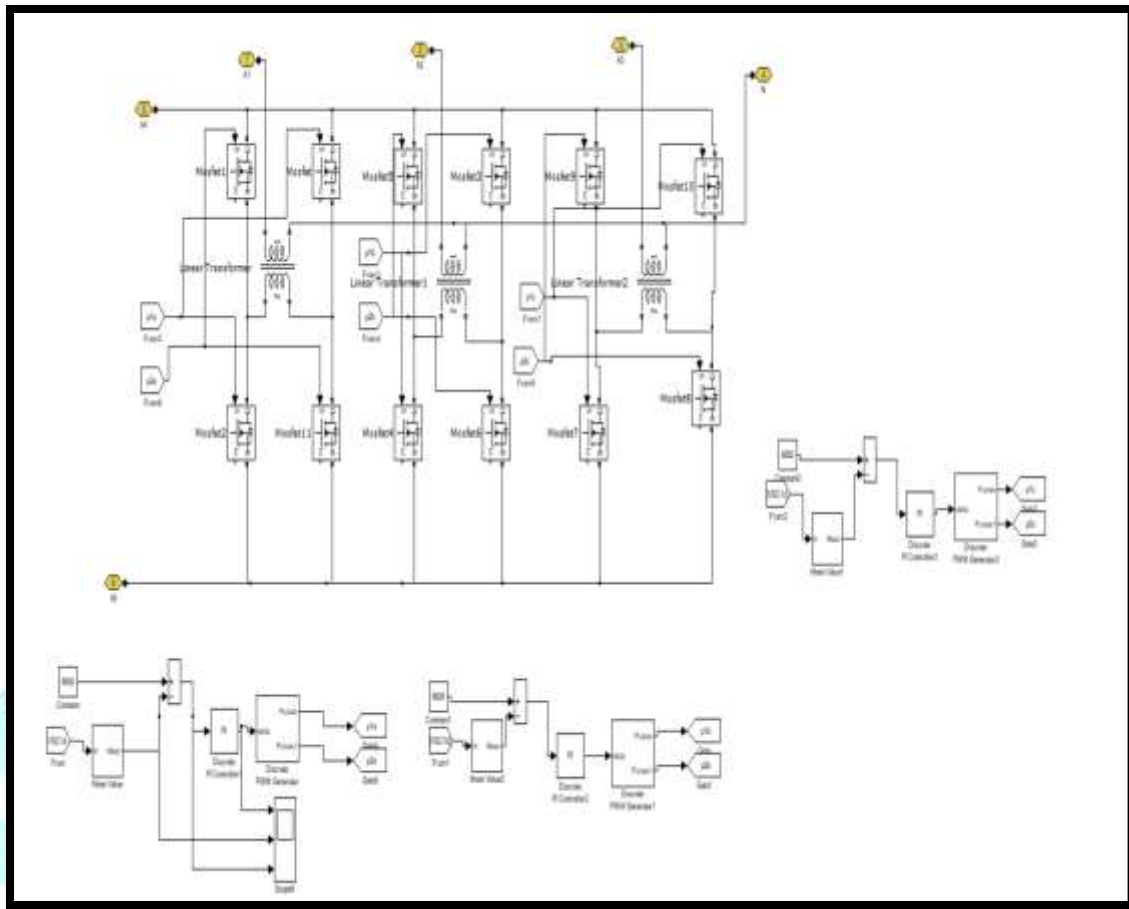


Fig Shunt Control Subsystem

After the proposed series and shunt control subsystem the simulation results improvement in voltage and current at individual bus are shown in fig below.

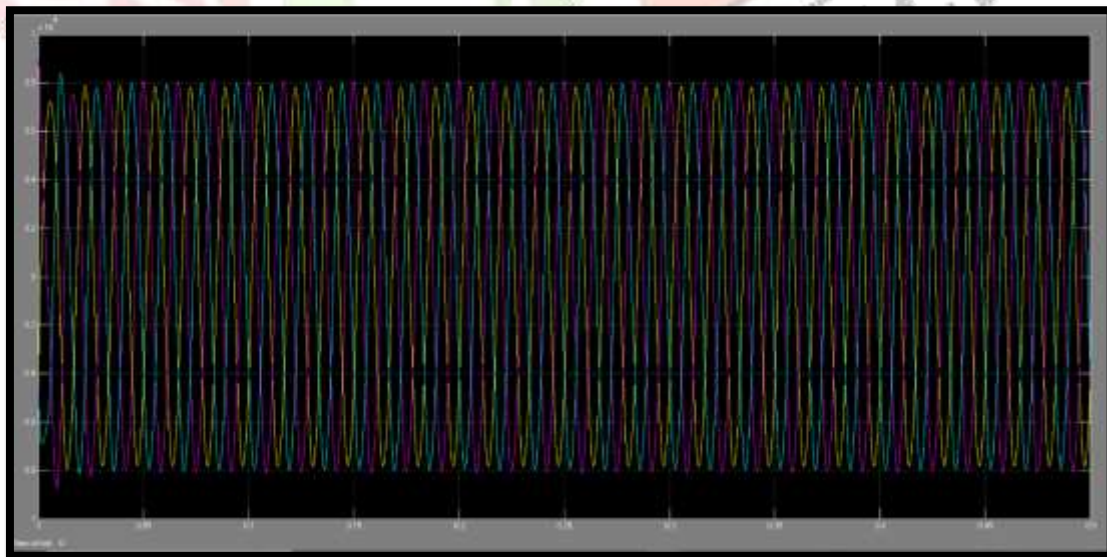


Fig Voltage at B-21

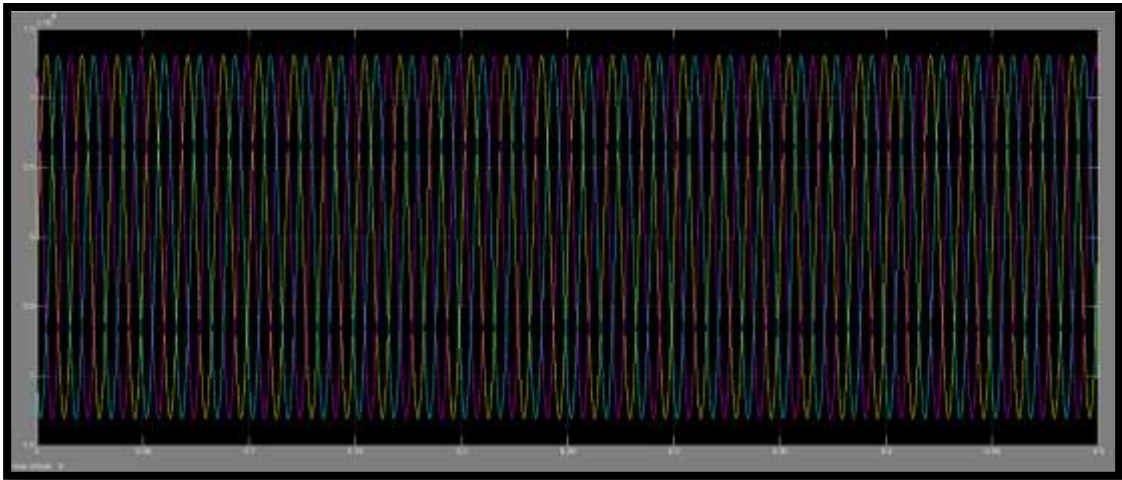


Fig Voltage at B-32

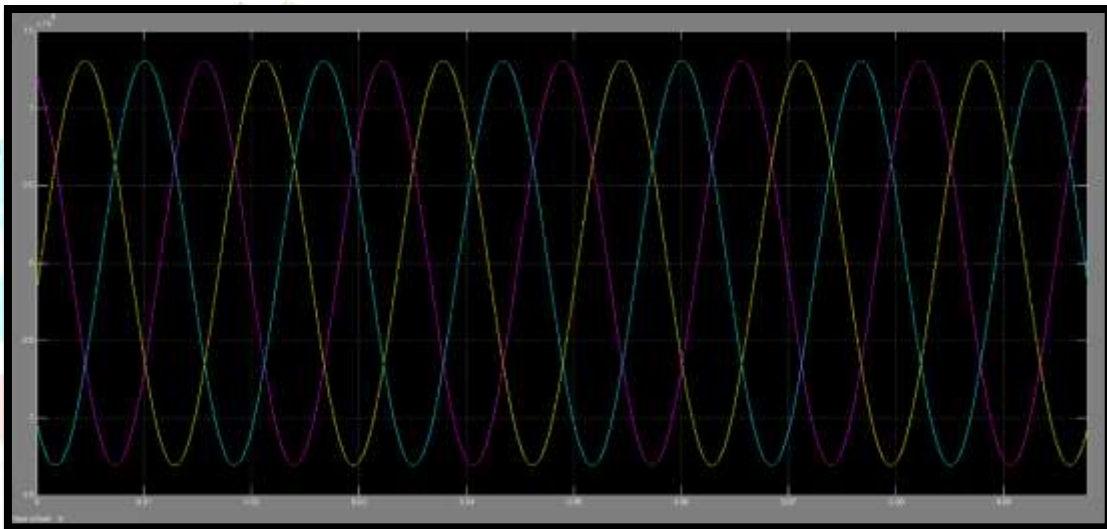


Fig Voltage at B-32 pure Sinusoidal

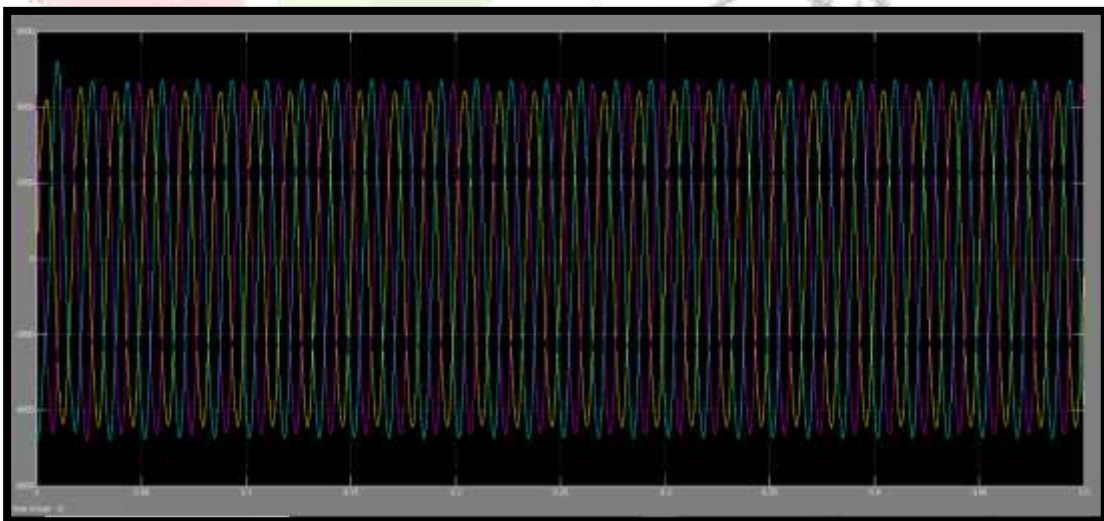


Fig Voltage at B-41

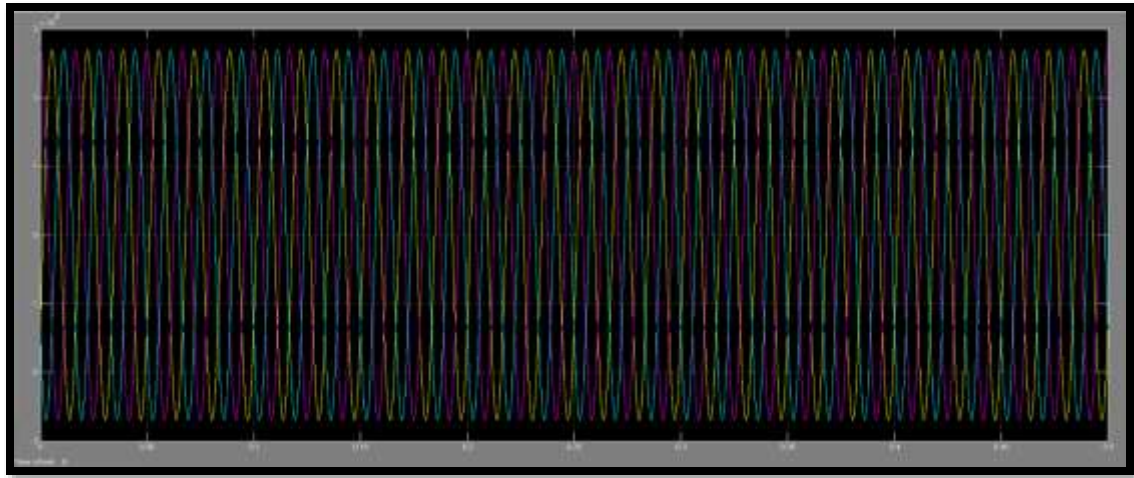


Fig voltage at B-11

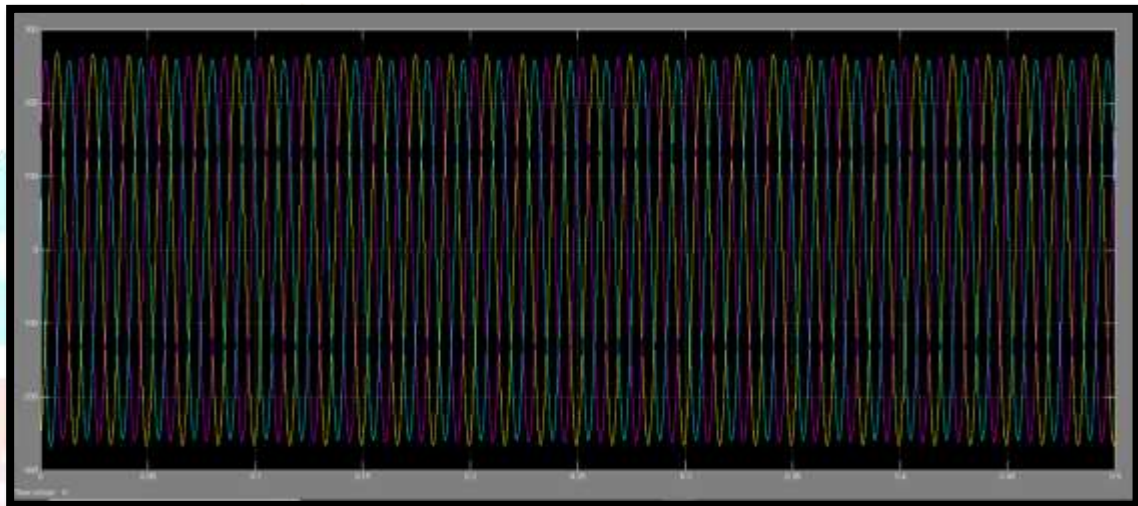


Fig Current at B-11

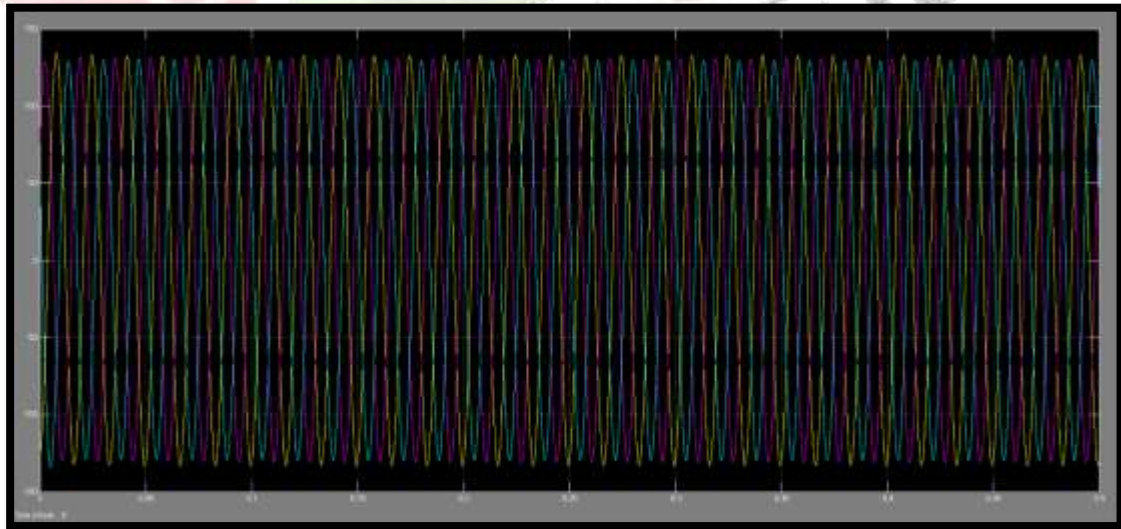


Fig Current at B-21

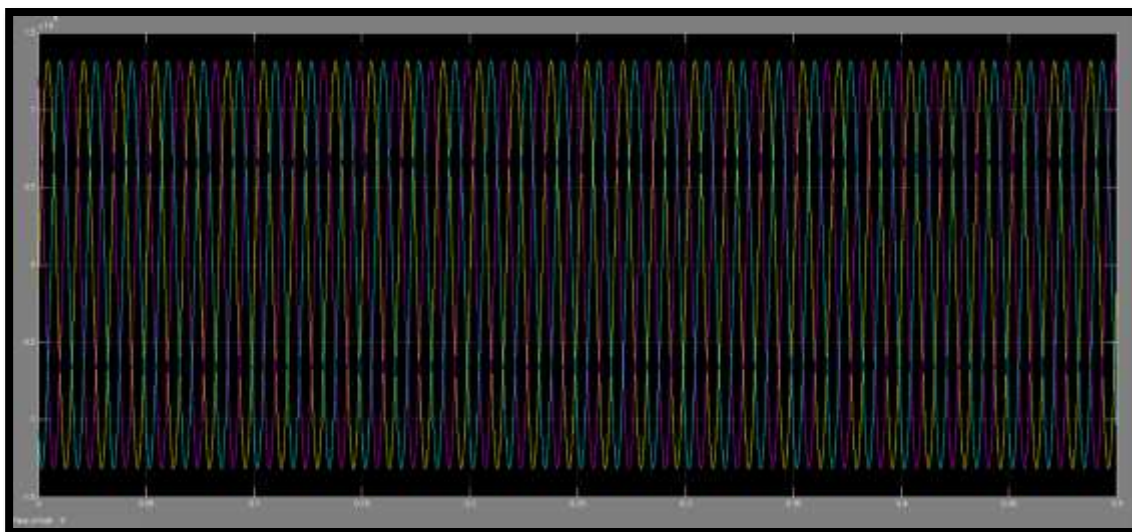


Fig Current at B-22

**Summary of Results: -**

In the simulation results we can show the power flow control in both the transmission line and controls the different parameters of the given 3-phase system like voltage, current and Active-Reactive power in the system. There are the Voltage and current waveforms at different buses like-11,21,32, etc are shown and compared without IPFC and with IPFC results.

**THD Analysis**

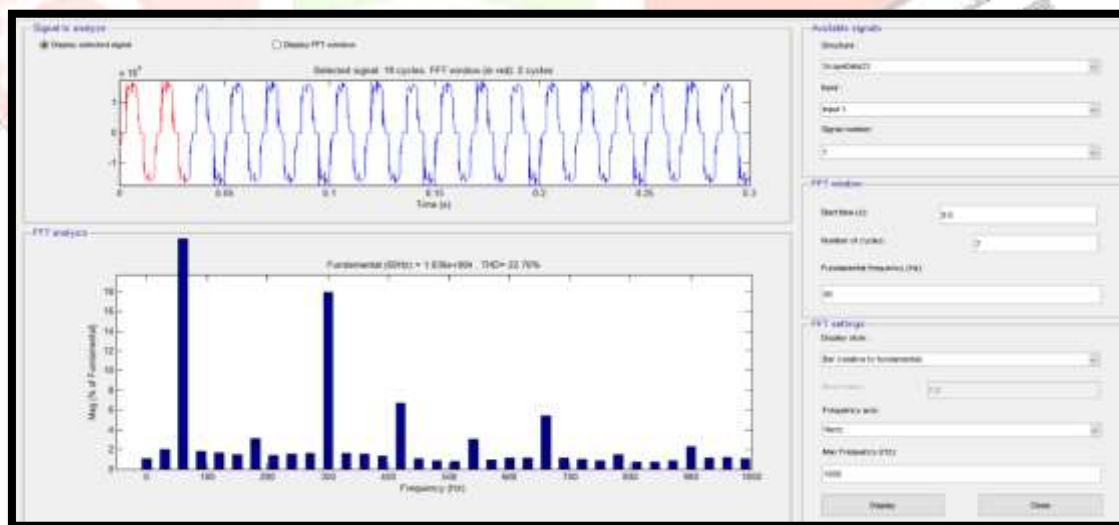


Fig THD of Voltage Level without IPFC

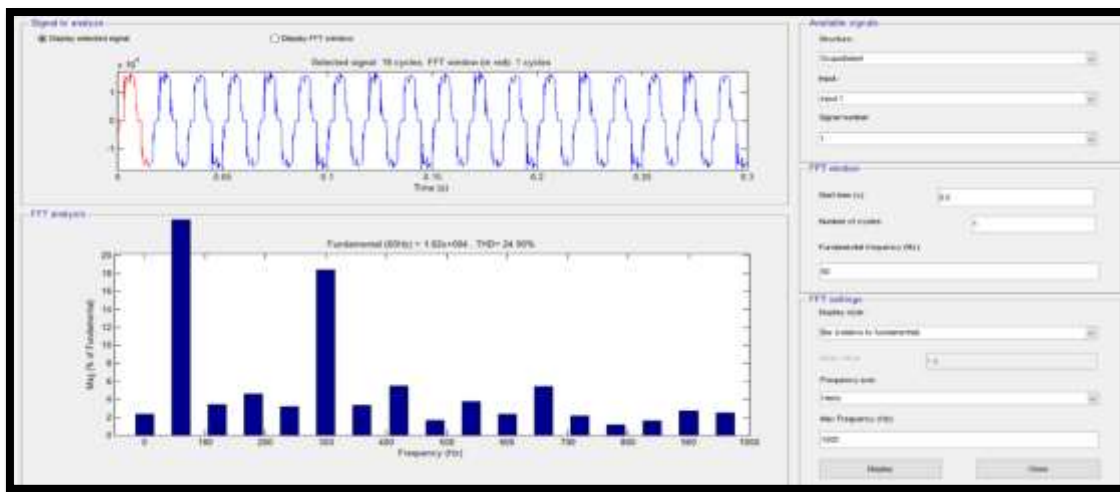


Fig THD of Voltage Level without IPFC

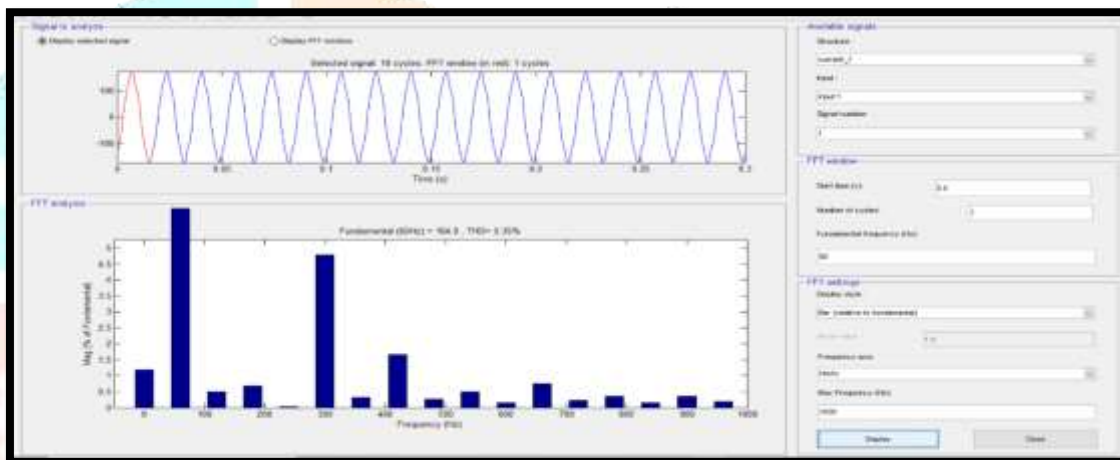


Fig THD of Current Level without IPFC

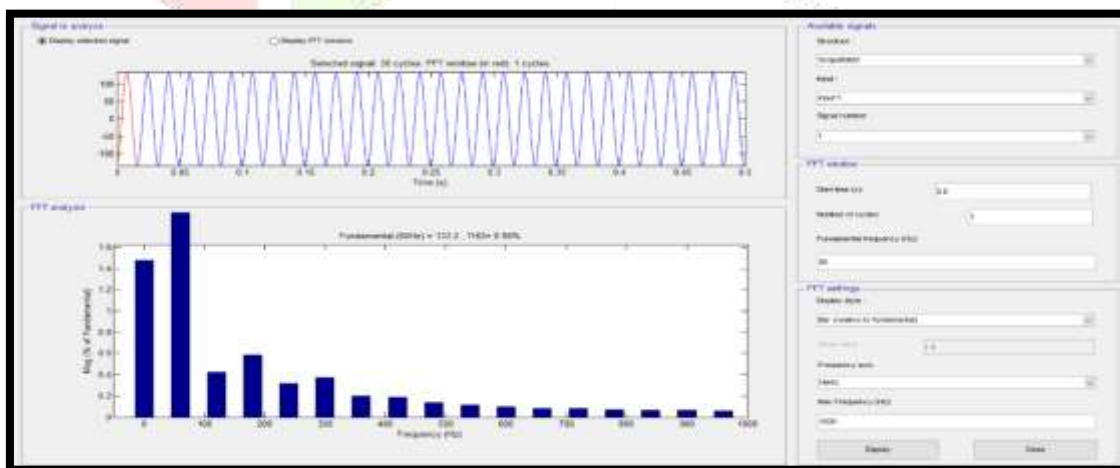


Fig THD of voltage level after IPFC integration

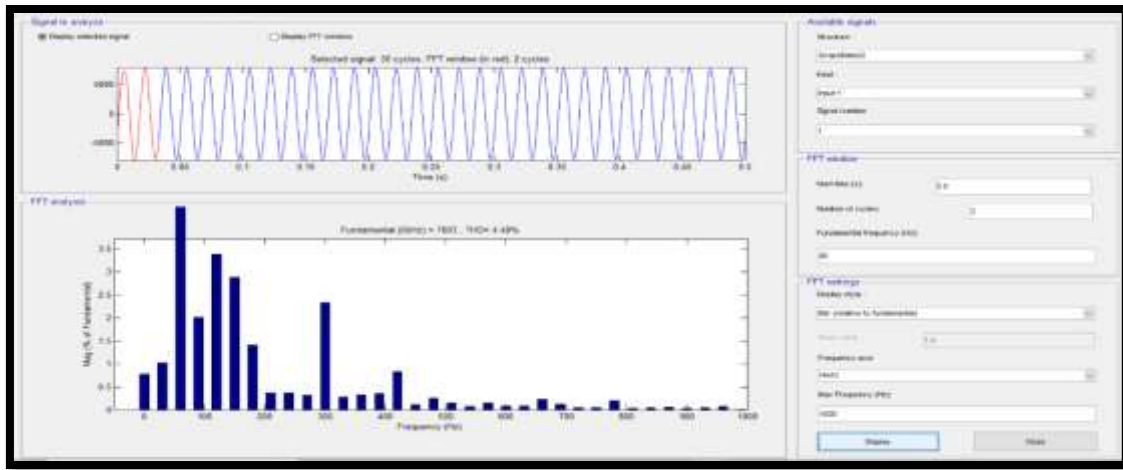


Fig THD of Current with IPFC

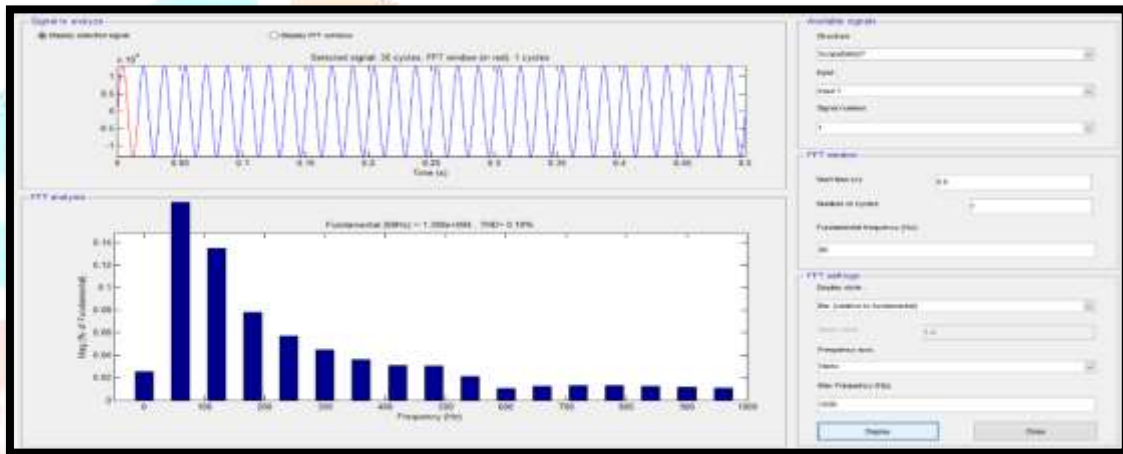


Fig THD of Voltage level with IPFC

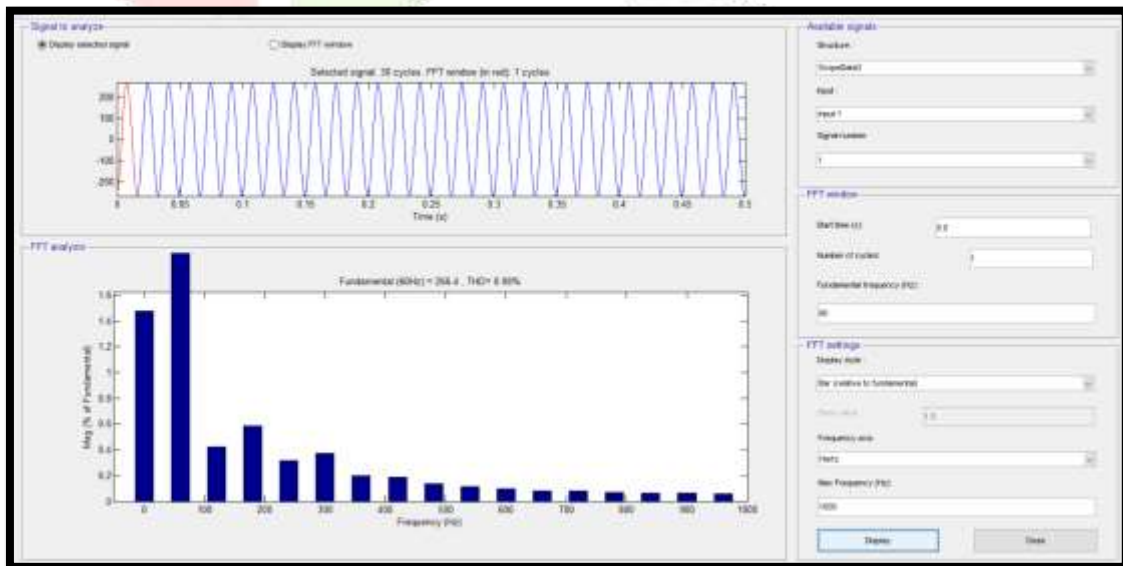


Fig THD of Current with IPFC

**THD Comparison: -**

Sr.No	FACTS device	THD %
1	THD of Voltage Without IPFC (Bus-21)	22.76%
2	THD of Voltage Without IPFC(Bus-11)	24.90%
3	THD of Current Without IPFC(Bus-21)	5.35%
4	THD of Voltage With IPFC(Bus-11)	0.98%
5	THD of Voltage With IPFC(Bus-21)	0.19%
6	THD of current with IPFC(Bus-21)	4.48%
7	THD of current with IPFC(Bus-32)	0.98%

**THD Analysis: -**

In the THD comparison of above section we can say that after integration of IPFC in two interline we can improve voltage and current waveform at different buses and improve THD in the proposed system as per the power quality standards.

**CONCLUSION**

In this paper voltage and power profile has been improved through implementation of IPFC. IPFC is capable of balancing the power through the multiple transmission lines. The power quality is improved since IPFC permits additional power in the system. The circuit models for IPFC system are developed using Matlab- Simulink software. With these simulation results it can be inferred that with the implementation of IPFC, voltage profile, real power flow and reactive power flow can be controlled. The IPFC modelling has been with PI controller for power quality enhancement and power flow control of the given system.

**REFERENCES**

- [1] Laszlo Gyugyi, Kalyan K.Sen, Colin D.Schauder, "The interline power flow controller concept: A new approach to power flow management in transmission system", IEEE Transactions on power delivery, Vol.14, No.3, July 1999.
- [2] A.V.Naresh Babu, S.Sivanagaraju, Ch.Padmanabharaju and T.Ramana, "Multi-Line Power Flow Control using Interline Power Flow Controller (IPFC) in Power Transmission Systems", World Academy of Science, Engineering and Technology International Journal of Electrical, Computer, Energetic, Electronic and Communication Engineering Vol:4, No:3, 2010.
- [3] Keerti Kulkarni, "Power Flow Control by IPFC (Interline Power Flow Controller)", International Journal on Recent Technologies in Mechanical and Electrical Engineering (IJRMEE) ISSN: 2349-7947 Volume: 2 Issue: 4.

- [4] Y.N.Vijayakumar, Dr. Sivanagaraju, “Application of interline power flow controller (ipfc) for power transmission system”, International journal of innovative research in electrical, electronics, instrumentation and control engineering, ISSN (Online) 2321 – 2004 Vol. 2, Issue 10, October 2014.
- [5] A. P.Usha Rani and B. S.Rama Reddy, “Modelling and Digital Simulation of Interline Power Flow Controller System”, International Journal of Computer and Electrical Engineering, Vol. 2, No. 3, June, 2010 1793-8163.
- [6] Indra Prakash Mishra, Sanjiv Kumar, “Control of Active and Reactive Power Flow in Multiple Lines through Interline Power Flow Controller (IPFC)”, International Journal of Emerging Technology and Advanced Engineering, ISSN 2250-2459, Volume 2, Issue 11, November 2012.
- [7] B. Karthik and S. Chandrasekar, “Modelling of IPFC for Power Flow control in 3-Phase line Further Aspects And its Limitations”, International Journal of Computer and Electrical Engineering, Vol.4, No.2, April 2012.
- [8] A. V. Naresh Babu, S. Sivanagaraju, Ch. Padmanabharaju and T. Ramana, “ Power flow analysis of a power system in the presence of interline power flow controller (ipfc)”, ARPN Journal of Engineering and Applied Sciences, ISSN 1819-6608, VOL. 5, NO. 10, OCTOBER 2010.
- [9] S.Devi, V.Suvitha, E.Mageswari, M.Yuvaleela, “Simulation of Real and Reactive Power Coordination Using CSC Based IPFC for Power Quality Issues”, International Journal of Advanced Research in Electrical, Electronics and Instrumentation Engineering, ISSN (Online): 2278 – 8875 Vol. 3, Issue 11, and November 2014.
- [10] Neha jain, “IFTIPFC: an interactive functional toolkit related to Interline Power Flow Controller”, IPASJ International Journal of Electrical Engineering (IJEE), ISSN 2321-600X, Volume 2, Issue 7, July 2014.
- [11] Rajshekar Sinagham and K. Vijay Kumar, “Role of Interline Power Flow Controller for Voltage Quality”, International Journal of Emerging Trends in Electrical and Electronics (IJETEE) Vol. 1, Issue. 4, March-2013.
- [12] Yankui Zhang, Yan Zhang, and Chen, Senior Member, IEEE, “A Novel Power Injection Model of IPFC for Power Flow Analysis Inclusive of Practical Constraints”, IEEE TRANSACTIONS ON POWER SYSTEMS, VOL. 21, NO. 4, NOVEMBER 2006.
- [13] Arumugom S., Dr. M. Rajaram, “Performance Assessment of IPFC with IDVR for Two Feeder Transmission systems”, International Journal of Modern Engineering Research (IJMER), Vol.3, Issue.4, Jul - Aug. 2013 pp-2079-2082 ISSN: 2249-6645.